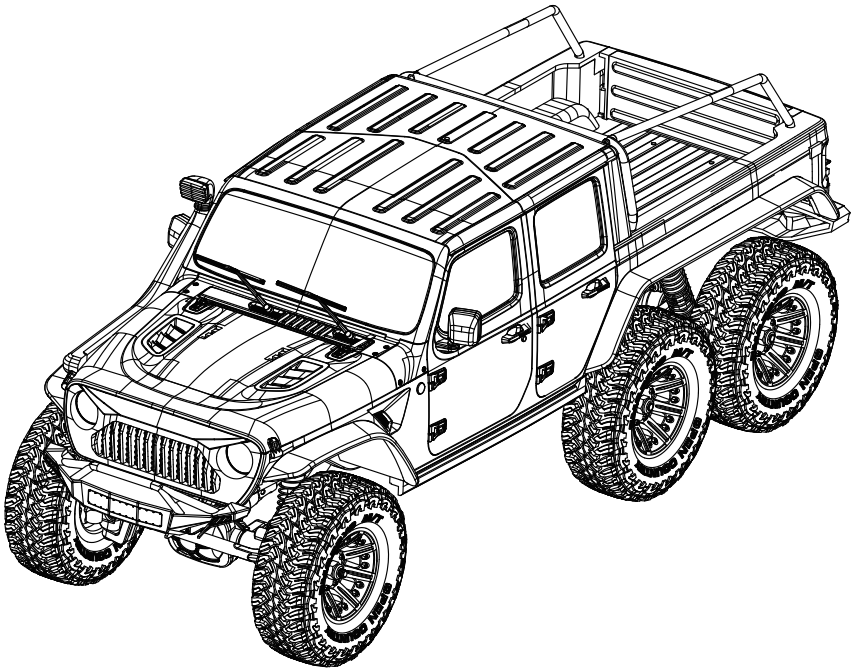


ROBOHOBBY

1:18

CHEYENNE 6X6



Instruction Manual

Bedienungsanleitung

Manuel d'utilisation

操作手册

Introduction

The new 1:18 6X6 Cheyenne is the latest release in the range of highly detailed scale Crawlers available from ROCHOBBY. This very unique 6WD crawler based on the prototype vehicle has the very same looks and stance of the vehicle which it is based on. Just Like its siblings, the RocHobby 1:18 Cheyenne comes to you with a vast amount of extremely high “true to life” scale detail such as a full rhino bumper kit, full compliment of waterproof lights and indicators front and rear, vehicle anti Rollover bars, and even a scale bonnet ventilation grille and snorkel. At the rear of the vehicle the tailgate can also be opened for easy loading and unloading of cargo.

The attention to scale detail doesn't end there! Inside the cabin you will find the very same attention to scale details—from the detailed center console, to the seats and even a real rear view mirror—literally Nothing has been overlooked by the vehicle design team when recreating this truly unique scale vehicle as we recognize that attention to detail is paramount for the scale enthusiast when recreating these scale vehicles.

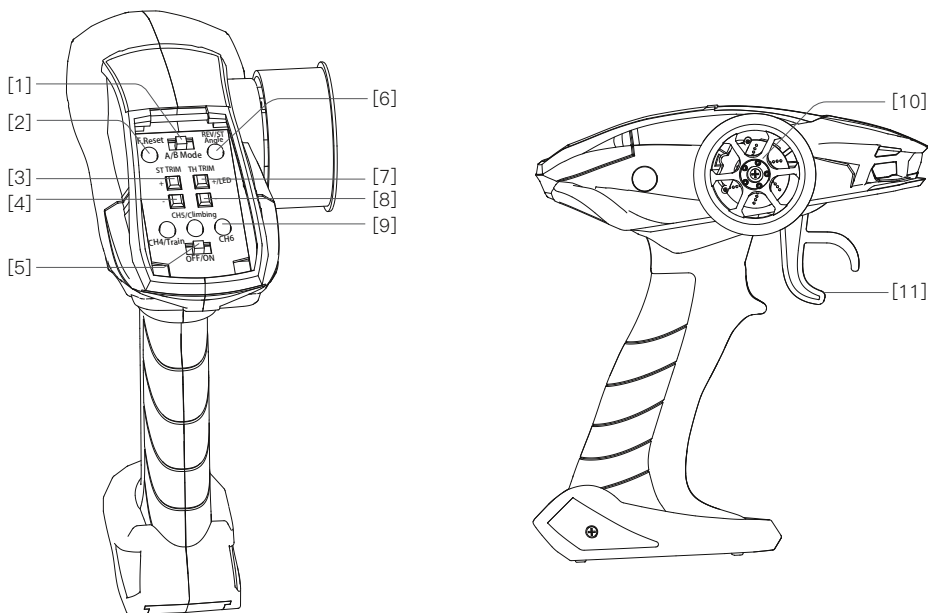
Just like the full size “hardcore” off-road crawler, the 1:18 Cheyenne's off-road performance also shouts much louder than its exquisite attention to detail. A powerful 6x6 drive system with independent Intermediate axle ensures that not only is it more than capable of conquering all manner of terrain it might encounter, but it also provides the Cheyenne with a very high degree of grip and traction meaning even the steepest of slopes is not a problem for this powerhouse, this is further enhanced by the very efficient multi link suspension system and scale high grip clip on soft tires.

The 1:18 Cheyenne is also equipped with the same rigid ladderframe chassis design as existing RocHobby models. For the Cheyenne, The rigid metal chassis beams were extended to accommodate the longer wheelbase design of the 6X6 drive system.

The very precise steering is a typical “drag link” type assembly complete with a powerful waterproof 9g servo in place of what would normally be the Power assisted Steering box on the actual vehicle. In addition to all this the vehicle's wide body design also reduces the vehicle's center of gravity, offering increased driving stability on all kinds of Terrain including even water crossings and wet areas thanks to the addition of waterproof electronics!

The new ROCHOBBY 1:18 Cheyenne—A cost-effective off-road crawler you don't want to miss!

Transmitter Introduction



[1]	A/B Mode switch key	[7]	Throttle trim + (TH TRIM +) mode A / light control switch 1 mode B
[2]	Re-set button (F.Reset) Mode A	[8]	Throttle trim - (TH TRIM -) mode A / light control switch 2 mode B
[3]	Steering Trim+ (ST TRIM+) Mode A	[9]	Channel 6 (reserved)
[4]	Steering Trim- (ST TRIM-) Mode A	[10]	Steering wheel
[5]	Power Switch	[11]	Throttle trigger
[6]	Reverse key mode a / steering angle limit mode B		

A/B mode function toggle switch		
F.Reset	In the use of the disorder settings, not back to the normal state, you can use Factory.Reset function	Make sure that the mode function toggle switch is in mode A, hold the steering wheel left or right, and click the F. Reset button at the same time. After two clicks, it means that the factory settings have been completed.
REV	After replacing the steering gear, the steering gear is reversed	Make sure that the mode function toggle switch is in mode A, twist the left or right steering wheel, and click Rev button at the same time. After ringing, it means that the reverse setting of steering gear has been completed.
	After replacing the motor, there is a reverse	Make sure that the mode function toggle switch is in mode A, pull or push the throttle, and click Rev button at the same time. After ringing, it means that the motor reverse setting has been completed.
	Adjust 30 / 50 / 100% steering radian	Make sure that the mode function toggle switch is in mode B, and click the ST Angle key. After a click, it means that the 30% steering radian has been set. Click the ST Angle button again, and you will hear two beeps, indicating that the setting of 50% steering radian has been completed. Click the ST Angle button again, and you will hear three beeps, indicating that the 100% steering radian has been set. Then click to cycle to a click to indicate that the 30% steering radian has been set.
ST TRIM	When the steering center is not centered	Make sure that the mode function toggle switch is in mode A, press ST TRIM+ or - button to fine tune the steering center. Every click of the button will ring. When the maximum and minimum values are reached, a long sound will appear. When the median value is reached, it will ring twice.
TH TRIM	When the throttle is not centered	Make sure that the mode function toggle switch is in mode A, press TH TRIM + / - button to fine tune the throttle center. Every click of the button will ring. When reaching the maximum and minimum value, the button will ring, when reaching the median value, the button ring twice.
LED	Light setting	One-button for multi-mode switch

Emitter: forget reminder	If the transmitter does not receive any command, it will give an alarm after 10 minutes and enter sleep mode after 2 minutes
Transmitter: frequency alert	When the transmitter does not match the receiver, the indicator light of the transmitter keeps flashing
Transmitter: no frequency matching + low power reminder 4.5V	The indicator light of the transmitter flashes slowly and makes a sound
Transmitter: low power reminder 4.5V	The indicator light of the transmitter flashes slowly
Car: frequency alert	The headlights keep flashing
Car: low power alarm 6.3-6.4v	All lights keep flashing, steering and throttle are not controlled
Car: reminders to prevent forgetting	If the vehicle does not receive any signal, it will flash back and forth after 10 minutes and enter sleep mode after 2 minutes

Times for Pressing								
Button	Light Position	Function	Power on is off by default	I	II	III	Control Mode	Remarks
LED1#	Headlight	Reversing light	OFF	•	•	OFF		
		Emergency Flashers	OFF	OFF	•			
	Rear light		•	•	•	Throttle linkage control	The reversing lamp is on during reversing operation	
	Rear turn signal	Left turn signal	○	○	○	Direction linkage controlL		
		Right turn signal	○	○	○	Direction linkage controlL		

Transmitter Battery Installation

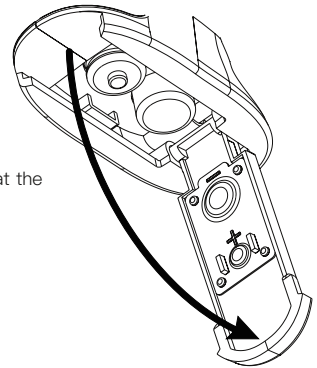
Battery Type: AAA

Battery Installation:

1. Open the battery compartment cover.
2. Insert 4 fully-charged AAA batteries into the compartment. Make sure that the battery makes good contact with the battery compartment's contacts.
3. Replace battery compartment cover.

Low battery alarm: When the battery is lower than 4.2V, the LED on the panel will flash slowly.

Note: When installing the batteries, be careful to handle the positive and negative poles. (As shown in the picture on the right)



Warnings

- This vehicle is not intended for those under 14 years of age without proper adult supervision. It is not a toy! Failure to operate or maintain this vehicle in a safe manner can result in bodily harm.
- Replace damaged components with original factory-parts. Pay special attention to the polarity of all vehicle wiring.
- Only use approved 2 cell lithium polymer batteries. Do not over-charge or over dis-charge the battery as doing so may cause the battery to become a fire hazard. If the battery should become hot during charging, discontinue charging immediately and disconnect the battery from the charger. Never leave the battery unattended while charging. If you are unsure of how to charge this battery, please seek the advice of experienced RC users. Never let children charge the battery without adult supervision.
- The motor will become hot during use. Allow 10–15 minutes between runs for the vehicle to cool down. Doing so will prolong the life of your vehicle.
- Use common sense when selecting the environment to operate your vehicle. Do not operate near power cables, cellular/radio towers, deep water or unstable terrain. The operator is solely responsible for their actions.
- The product is composed of precision electrical components. It is critical to keep the product away from moisture and other contaminants. If exposed to a humid environment, make sure the electronics are fully dried prior to using them again.
- Always check the radio range of the vehicle prior to operation in order to prevent radio loss or interference.
- Operate this product within your ability. If the vehicle is dangerous to retrieve, it's never worth the risk.
- Always turn on the transmitter before connecting the battery on the model. When turning off the model, always disconnect the battery first, and then turn off the model, always disconnect the battery first, and then turn off the transmitter. If this order is reversed, the model may become uncontrollable and cause serious damage.
- Never allow transmitter batteries to run low as it may cause loss of vehicle control.
- Plastics on the vehicle are susceptible to damage or deformation due to extreme heat and cold climate. Do not store the model near any source of heat such as oven or heater. Store the model indoors, in a climate-controlled, room temperature environment.
- Never shorten the receiver antenna; this may affect the transmitting range of the radio system.
- Only use specified battery (X4 AAA batteries).
- Do not open, disassemble, or attempt to repair the battery.
- Do not crush/puncture the battery, or short the external contacts.
- Do not expose to excessive heat or liquids.
- Do not drop the battery or expose to strong shocks or vibrations.
- Always store the battery in a cool, dry place.
- Do not use the battery if damaged.
- The Battery must be disconnected the receiver when charging.

Power On

Follow the steps below to turn on the transmitter:

1. Check to make sure that that battery is fully charged and installed correctly.
2. Toggle the switch to the [ON] position. When active the R.LED will be lit.
3. Connect the receiver to power.
 - For safety always power on the transmitter before the receiver.

Note

- Operate with caution in order to avoid damage or injury.
- Make sure that the throttle is at its lowest position and the switches are set to their up position.

Instructions

After setting up, follow the instructions below to operate the system.

1. Automatic code matching (the transmitter and receiver have been successfully coded before leaving the factory.)

If you need to replace another transmitter or receiver, please follow the following steps to code:

1. When the transmitter power is on and the code matching mode is on, the light keeps flashing;
2. The power supply of the receiving board is turned on, and the front lights keep flashing to enter the code matching mode;
3. When the code matching is successful, all the transmitter lights are on and all the lights on the car are off;

Note: when code matching, please operate the transmitter to enter the code matching state first, and then operate the receiver to enter the code matching state.

2、POWER OFF

Follow the steps below to turn off the system:

- 1.Disconnect the receiver power.
- 2.Toggle the transmitter's power switch to the off position.



Note

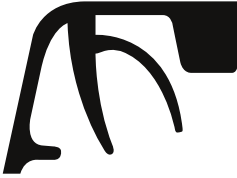
Make sure to disconnect the receiver power before turning off the transmitter. Failure to do so may lead to damage or serious injury.

Transmitter specification

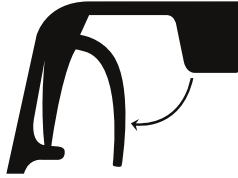
Product Model	HT-TX02
Adaptive model	Car
RF	2.4GHz
Transmitting power	<20dBm
Wireless protocol	ANT
Distance	>30m(ground)
Channel Resolution	256 Grade
Battery	6V DC 1.5AAA*4
Charging Interface	NO
Life time	According to battery type
Low Voltage Warning	<4.45V
Antenna Type	Built-in single antenna
Data interface	NO
Temperature Range	-10°C ~ +60°C
Humidity Range	20-95%
Online Update	NO
Color	Black
Size	296mm *113mm *129mm
Weight	151g
Certification	CE, FCC ID: 2AUBX-HT-TX02

Throttle stick position

Neutral point



Top point of forward direction



Top point of backward direction



Operating the vehicle

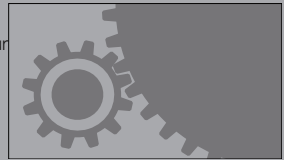
Step 1: turn on the transmitter, the headlamp of the transmitter will flash and enter the frequency matching mode.

Step 2: turn on the receiver switch, the headlight will flash and enter the frequency matching mode.

Step 3: when the transmitter and receiver are successful in frequency up, the front lights of the transmitter will be on for a long time, and the front lights of the vehicle will be off.

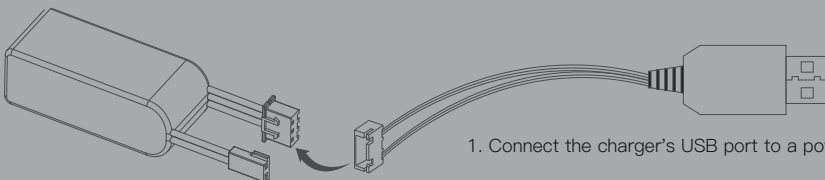
Setting the Gear Mesh

The gear mesh is the clearance between the pinion and spur gears in your vehicle. If the motor or gearing components are replaced, check that the gears are not meshing too tightly as this may cause premature wear.



Charging the Battery

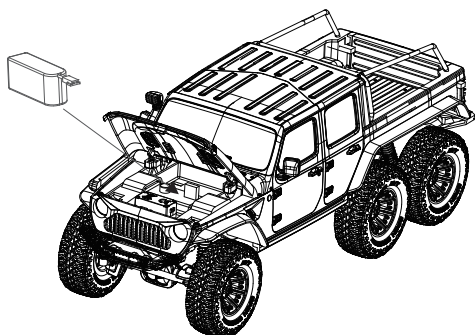
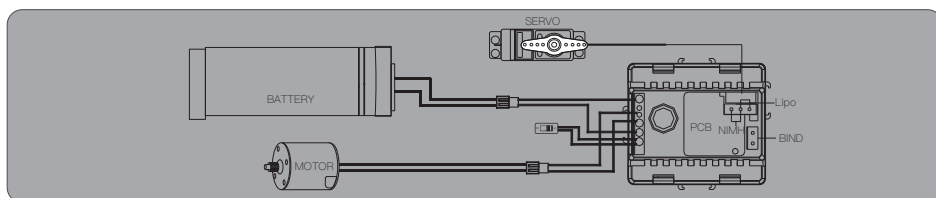
1. Connect the charger to a USB port then connect the battery to the charger.
2. When charging, the Green LED is flash, when charged, the Green LED is stable.
3. Do not let the battery charge unattended!
4. If the battery or charger is hot, disconnect the battery and charger immediately as this may be caused by an internal short-circuit.



1. Connect the charger's USB port to a power source.

2. Connect the battery to the charger.

- Always charge LiPo batteries on non-flammable, heat-resistant surfaces.
- Always use a LiPo-safe bag or container while charging. Do not allow LiPo cells to overheat at any time. Cells which reach greater than 140 Fahrenheit(60°C) will usually become damaged and will catch fire.
- Do not charge the LiPo pack while it is still in the model. Never charge or store battery packs in a vehicle.
- Do not discharge LiPo; doing so will damage the battery.
- Do not expose LiPo cell to water or moisture at any time.
- Do not store battery near open flame or heater.
- Do not assemble LiPo cells or pre-assembled packs together with other LiPo cells or packs.
- Always store LiPo battery in a secure location away from children.
- Always remove the LiPo battery if model is involved in any kind of crash.
- Carefully inspect the battery and connectors for even the smallest damage.
- CAUTION: Cells may become hot after usage. Allow the pack to cool to room temperature prior to recharging.
- Do not allow the electrolyte to get into eyes or on skin. Wash affected areas immediately if they if they come into contact with electrolyte. Do not alter or modify connectors or wires of a LiPo battery pack.
- Always inspect the condition of the battery before charging and operating.
- Do not short circuit the LiPo battery.
- Do not have contact with a leaky/damaged battery directly.
- Do not charge battery out of recommended temperature range(0°C 45°C).



NOTE

- 1.If it is not in use for a long time, unplug and take off the battery to prevent battery leakage.
- 2.Do not open, disassemble, or attempt to repair the battery.
- 3.Please disconnect the battery from the receiver before charging.

Spare parts list

C2174	11812 Hood	C2067	1:18 Steering Hub & Spindle
C2175	11812 Front and Rear Light Cup Set	C2188	1:18 11812 FRONT/REAR AXLE parts
C2176	11812 Hood Mount Set	C2069	1:18 SERVO HORN-
C2177	11812 Rearview Mirror And Wiper	C2189	1:18 11812 MIRROR LENS
C2178	11812 Bumper set	C2071	1:18 Wheel Hex
C2179	11812 Lens set	C2073	1:18 BEARING Set
C2180	11812 Body SHELL	C2074	1:18 Rear Wheel Shaft
C2181	11812 handle set	C2075	1:18 FRONT OUTDRIVE SHAFT
C2045	Teraz Tire 19.2 x 13.5 x 56	C2076	1:18 Gear Box Plastic Parts
C2046	1:18 Star Style Wheels plastic parts	C2021	1:18 1KG High Torque 3wire Servo
C2134	ROCHOBBY LIPO Battery 2S LIPO 380mAh for 1:18	C2133	1:18 M4 BALL HEAD
C2182	1:18 11812 Light set	C2120	MG41 + R4A Transmitter Receiver Set
C2051	ROCHOBBY USB Charger	C2121	R4A ESC/RX Combo
C2057	1:18 Plastic Gear set	C2122	MG41 Transmitter
C2183	1:18 11812 Transmission Shaft full set	C2190	1:18 11812 DASH BOARD
C2184	1:18 11812 Screw set	C2191	1:18 11812 SEAT
C2185	1:18 11812 Drive axle Metal Gear	C2192	1:18 11812 SNOKLE
C2060	1:18 M2&M2.5 SCREW NET	C2193	1:18 11812 Rear Door
C2186	1:18 11812 Window	C2049	1:18 050 Motor set
C2063	1:18 SHOCK PLASTIC PARTS		
C2187	1:18 11812 Connecting Rod		
C2066	1:18 BALL HEAD		

CE Warning

The antenna(s) used for this transmitter must be installed to provide a separation distance of at least 20 cm from all persons and must not be co-located or operating in conjunction with any other transmitter. End-users and installers must be provided with antenna installation instructions and transmitter operating conditions for satisfying RF exposure compliance.

Appendix 1 FCC Statement

FCC ID: 2AUBX-HT-TX02

This equipment has been tested and found to comply with the limits for a Class B digital device pursuant to part 15 of the FCC rules. These limits are designed to provide reasonable protection against harmful interference in a residential installation. This equipment generates, uses and can radiate radio frequency energy and, if not installed and used in accordance with the instructions, may cause harmful interference to radio communications. However, there is no guarantee that interference will not occur in a particular installation. If this equipment does cause harmful interference to radio or television reception, which can be determined by turning the equipment off and on, the user is encouraged to try to correct the interference by one or more of the following measures:

- Reorient or relocate the receiving antenna.
- Increase the separation between the equipment and receiver.
- Connect the equipment into an outlet on a circuit different from that to which the receiver is connected.
- Consult the dealer or an experienced radio/TV technician for help.

To assure continued compliance, any changes or modifications not expressly approved by the party responsible for compliance could void the user's authority to operate this equipment.

This equipment complies with Part 15 of the FCC Rules. Operation is subject to the following two conditions:

- (1) This device may not cause harmful interference.
- (2) This device must accept any interference received, including interference that may cause undesired operation.

Caution!

The manufacturer is not responsible for any radio or TV interference caused by unauthorized modifications to this equipment. Such modifications could void the user authority to operate the equipment.

1. The antenna(s) used for this transmitter must be installed to provide a separation distance of at least 20 cm from all persons and must not be co-located or operating in conjunction with any other transmitter. End-users and installers must be provided with antenna installation instructions and transmitter operating conditions for satisfying RF exposure compliance.
2. Move all your channels to the desired position.
3. Select [All channels] and then [Yes] in the confirmation box.

Declaration of Conformity (DoC)

We,
Add:Room701,Block B, Luo Tian Community
Xiangshan Road142,Songgang Street,Shenzhen
Baoan District China

Phone:0769-86976655
Web:www.rochobbymodel.com

declare under our responsibility that the product:

Type of Equipment: Driving System & 2.4GHz Control System

Brand Name: ROCHOBBY

Compatiable for cars: 1: 18 Cheyenne 6X6

Equipment Model: 11812



to which this declaration relates is in conformity with the essential requirements and other relevant requirements of the Directive 2014/53/EU, EMC Directive 2014/30/EU, EMC Directive 2014/53/EU, FCC Identifier 2AUBX-HT-TX02 , EU RoHS Directive 2011/65/EU and Council Directive 2014/30/EU. The product is in conformity with following standards and/or other normative documents:

ETSI EN 301 489-1 V2.2.3(2019-11)
ETSI EN 301 489-17 V3.2.4(2020-09)
EN 55032:2015+A11:2020
EN 55035:2017+A11:2020
EN61000-3-2:2014
EN61000-3-3:2013
EN : 62479:2010
ETSI EN 300 328 V2.2.2 (2019-07)

Einleitung

Der neue 1:18 6X6 Cheyenne ist die neueste Veröffentlichung in der Reihe der hochdetaillierten Crawlern, die von ROCHOBBOY erhältlich sind. Dieser einzigartige 6WD Crawler, der auf dem Prototyp des Fahrzeugs basiert, hat das gleiche Aussehen und die gleiche Performance

des Fahrzeugs, auf dem er basiert. Genau wie seine Geschwister kommt auch der RocHobby 1:18 Cheyenne mit einer extrem hohen Detailtreue, wie z.B. eines kompletten RHINO-Stoßstangen-KIT. Auch wasserdichte Scheinwerfer, Lichtern und Blinkern vorne und hinten, Überrollbügel und sogar einem maßstabsgetreuen Kühlergrill und dem Schnorchel. Auf der Rückseite des Fahrzeugs kann die Heckklappe auch zum einfachen Be- und Entladen von Fracht geöffnet werden.

Die Aufmerksamkeit für maßstabsgetreue Details endet hier noch nicht! Im Inneren der Kabine finden Sie Details – von der detaillierten Mittelkonsole über die Sitze bis hin zu einem echten Rückspiegel.

Das Fahrzeugdesignerteam hat bei der Nachbildung dieses wirklich einzigartigen Fahrzeugs nichts übersehen, denn wir wissen das die Liebe zum Detail bei der Nachbildung dieser maßstabsgetreuen Fahrzeuge für den Enthusiasten von größter Bedeutung ist.

Wie der "Hardcore"-Offroad-Crawler in Originalgröße schreit auch die Offroad-Performance des 1:18 Cheyenne viel lauter als seine exquisite Liebe zum Detail. Ein leistungsstarkes 6x6-Antriebssystem mit unabhängiger Zwischenachse sorgt nicht nur dafür, dass der Cheyenne jedes Terrain bezwingen kann, sondern verleiht ihm auch Traktion, so dass selbst die steilsten Hänge kein Problem für dieses Kraftpaket sind. Dies wird noch verstärkt durch die sehr effiziente Mehrlenkeraufhängung und die griffigen Clip-On-Softreifen.

Auch der 1:18 Cheyenne ist mit dem gleichen stabilen Leiterrahmen-Chassis ausgestattet wie die bisherigen RocHobby

Modelle. Für den Cheyenne wurden die starren Metall-Chassis-Träger verlängert, um den längeren Radstand des 6X6-Antriebssystems aufzunehmen.

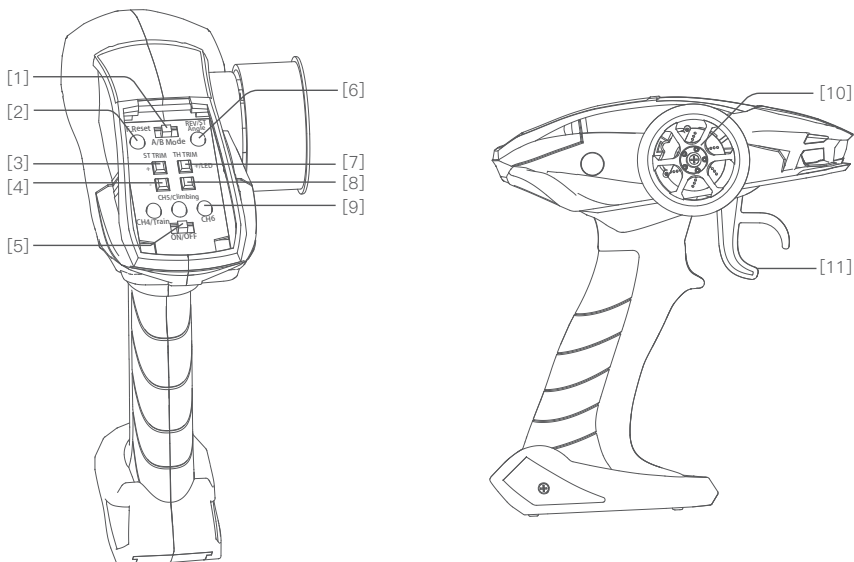
Die sehr präzise Lenkung ist eine typische "Drag-Link"-Lenkung mit einem leistungsstarken, wasserdichten 9g-Servo anstelle der echten Servolenkung.

Die breite Karosserie des Fahrzeugs senkt zusätzlich den Schwerpunkt des Fahrzeugs, was eine erhöhte Fahrstabilität auf allen Arten von

Gelände und sogar bei Wasserdurchfahrten dank der zusätzlichen wassergeschützten Elektronik ermöglicht.

Der neue ROCHOBBOY 1:18 Cheyenne – ein kostengünstiger Off-Road Crawler, den Sie nicht verpassen sollten!

Sender-Anleitung



[1]	A/B Modus-Schalttaste	[7]	Drosseltrimmung + (TH TRIM +) Modus A / Lichtschalter 1 Modus B
[2]	Reset-Taste (F.Reset) Modus A	[8]	Drosseltrimmung + (TH TRIM +) Modus A / Lichtschalter 2 Modus B
[3]	Lenkung Trim+ (ST TRIM+) Modus A	[9]	Kanal 6 (belegt)
[4]	Lenkung Trim- (ST TRIM-) Modus A	[10]	Steering wheel
[5]	Power Switch	[11]	Throttle trigger
[6]	Reverse key mode a / steering angle limit mode B		

Kippschalter für die A/B-Modus-Funktion		
F.Reset	Bei der Verwendung der Störungseinstellungen, die nicht in den Normalzustand zurückkehren, können Sie die Funktion "FactoryReset" verwenden	Vergewissern Sie sich, dass der Kippschalter für die Modusfunktion auf Modus A steht, halten Sie das Lenkrad nach links oder rechts und klicken Sie gleichzeitig auf die Taste F. Reset. Nach zwei Klicks bedeutet dies, dass die Werkseinstellungen abgeschlossen sind.
REV	Nach dem Austausch des Lenkgetriebes wird das Lenkgetriebe umgedreht	Vergewissern Sie sich, dass der Kippschalter für die Modusfunktion auf Modus A steht, drehen Sie das linke oder rechte Lenkrad und klicken Sie gleichzeitig auf die Taste Rev. Nach dem Klingeln bedeutet dies, dass die Rückwärtseinstellung des Lenkgetriebes abgeschlossen ist.
	Nach dem Austausch des Motors fährt das Modell rückwärts	Vergewissern Sie sich, dass der Kippschalter für die Modusfunktion auf Modus A steht, ziehen oder drücken Sie den Gashebel und klicken Sie gleichzeitig auf die Taste "Rev". Nach dem Klingeln bedeutet dies, dass die Einstellung der Motorumkehr abgeschlossen ist.
	30 / 50 / 100% Lenkradius einstellen	Vergewissern Sie sich, dass der Kippschalter für die Modusfunktion auf Modus B steht, und klicken Sie auf die Taste ST-Winkel. Nach einem Klick bedeutet dies, dass der Lenkradius von 30 % eingestellt wurde. Klicken Sie erneut auf die Taste ST Angle, und Sie hören zwei Pieptöne, die anzeigen, dass die Einstellung von 50 % Lenkradius abgeschlossen ist. Klicken Sie erneut auf die Schaltfläche ST-Winkel, und Sie hören drei Pieptöne, die anzeigen, dass der Lenkradius von 100 % eingestellt ist. Klicken Sie dann zyklisch auf einen Klick, um anzuzeigen, dass der Lenkradius von 30 % eingestellt ist.
ST TRIM	Wenn die Lenkung nicht zentriert ist	Vergewissern Sie sich, dass der Kippschalter für die Modusfunktion auf Modus A steht, und drücken Sie die Taste ST TRIM+ oder -, um eine Feineinstellung der Lenkungsmittle vorzunehmen. Bei jedem Tastendruck klingelt es. Wenn die Maximal- und Minimalwerte erreicht sind, ertönt ein langer Ton. Wenn der Mittelwert erreicht ist, klingelt es zweimal.
TH TRIM	Wenn das Gas nicht zentriert ist	Make sure that the mode function toggle switch is in mode A, press TH TRIM + / - button to fine tune the throttle center. Every click of the button will ring. When reaching the maximum and minimum value, the button will ring, when reaching the median value, the button ring twice.
LED	Licht-Einstellung	Ein Button für den Multi-Mode

Sender: Erinnerung vergessen	Wenn der Sender keinen Befehl empfängt, gibt er nach 10 Minuten einen Alarm aus und geht nach 2 Minuten in den Ruhemodus über
Sender: Frequenzwarnung	When the transmitter does not match the receiver, the indicator light of the transmitter keeps flashing
Sender: keine Frequenzanpassung + geringe Leistungserinnerung 4.5V	Die Kontrollleuchte des Senders blinkt langsam und gibt einen Ton von sich
Sender: Low-Power-Erinnerung 4.5V	Die Kontrollleuchte des Senders blinkt langsam
Auto: Frequenzalarm	Die Scheinwerfer blinken ständig
Auto: Schwachstromalarm 6.3–6.4v	Alle Lichter blinken weiter, Lenkung und Gas werden nicht gesteuert
Auto: Erinnerungen gegen das Vergessen	Wenn das Fahrzeug kein Signal empfängt, blinkt es nach 10 Minuten hin und her und geht nach 2 Minuten in den Ruhemodus über

Times for Pressing								
Button	Light Position	Function	Power on is off by default	I	II	III	Kontrolle Modus	Hinweise
LED1#	Scheinwerfer	Immer an	OFF	•	OFF			
		Immer aus	OFF	OFF	•			
	Rückleuchte		•	•	•	Steuerung des Gashebels	The light is on when reversing	
	Blinker	Blinker links	○	○	○	Richtungssteuerung des Gestänges		
Blinker rechts		○	○	○	Richtungssteuerung des Gestänges			

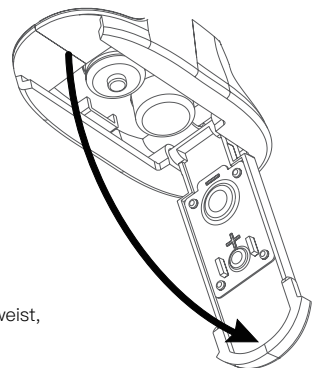
Einsetzen der Senderbatterien

Battery Type: AAA

Installation der Batterie:

1. öffnen Sie den Batteriefachdeckel.
2. Legen Sie 4 vollständig geladene AAA-Batterien in das Fach ein. Achten Sie darauf, dass die Batterie guten Kontakt mit den Kontakten des Batteriefachs hat.
3. Schließen Sie den Batteriefachdeckel wieder.

Alarm bei niedrigem Batteriestand: Wenn die Batterie weniger als 4.2 V aufweist, blinkt die LED auf dem Bedienfeld langsam.



Warnhinweise

- Dieses Fahrzeug ist nicht für Personen unter 14 Jahren ohne angemessene Aufsicht von Erwachsenen bestimmt. Wenn Sie dieses Fahrzeug nicht in einer sicheren Weise betreiben oder warten, kann dies zu körperlichen Schäden führen.
- Ersetzen Sie beschädigte Teile durch Original-Ersatzteile. Achten Sie besonders auf die Polarität der gesamten Fahrzeugverkabelung.
- Verwenden Sie nur zugelassene 2-Zellen-Lithium-Polymer-Akkus. Laden Sie die Akkus nicht zu stark auf oder entladen Sie sie nicht zu stark, da dies zu einer Brandgefahr führen kann. Sollte die Batterie während des Ladevorgangs heiß werden, unterbrechen Sie sofort den Ladevorgang und trennen Sie die Batterie vom Ladegerät. Lassen Sie den Akku während des Ladevorgangs niemals unbeaufsichtigt. Wenn Sie sich nicht sicher sind, wie Sie den Akku aufladen sollen, wenden Sie sich bitte an einen erfahrenen RC-Benutzer. Lassen Sie Kinder den Akku niemals ohne Aufsicht von Erwachsenen aufladen.
- Der Motor wird während des Betriebs heiß. Lassen Sie das Fahrzeug zwischen den Fahrten 10–15 Minuten abkühlen. Dadurch wird die Lebensdauer Ihres Fahrzeugs verlängert.
- Benutzen Sie Ihren gesunden Menschenverstand, wenn Sie die Umgebung für den Betrieb Ihres Fahrzeugs auswählen. Fahren Sie nicht in der Nähe von Stromkabeln, Mobilfunk-/Funktürmen, tiefem Wasser oder instabilem Gelände. Der Bediener trägt die alleinige Verantwortung für seine Handlungen.
- Das Produkt besteht aus elektrischen Präzisionsbauteilen. Es ist wichtig, das Produkt von Feuchtigkeit und anderen Verunreinigungen fernzuhalten. Wenn es einer feuchten Umgebung ausgesetzt war, stellen Sie sicher, dass die Elektronik vollständig getrocknet ist, bevor Sie sie wieder benutzen.
- Prüfen Sie vor dem Betrieb immer die Funkreichweite des Fahrzeugs, um Funkverluste oder Störungen zu vermeiden.
- Betreiben Sie dieses Produkt im Rahmen Ihrer Möglichkeiten. Wenn es gefährlich ist, das Fahrzeug zu bergen, ist es das Risiko nicht wert.
- Schalten Sie immer den Sender ein, bevor Sie den Akku des Modells anschließen. Trennen Sie beim Ausschalten des Modells immer zuerst den Akku ab und schalten Sie dann das Modell aus, trennen Sie immer zuerst den Akku ab und schalten Sie dann den Sender aus. Wenn Sie diese Reihenfolge umkehren, kann das Modell unkontrollierbar werden und schwere Schäden verursachen.
- Lassen Sie niemals zu, dass die Senderbatterien leer werden, da dies zum Verlust der Fahrzeugkontrolle führen kann.
- Die Kunststoffe des Fahrzeugs können durch extreme Hitze und Kälte beschädigt oder verformt werden. Lagern Sie das Modell nicht in der Nähe einer Wärmequelle wie einem Ofen oder einer Heizung. Lagern Sie das Modell in einem klimatisierten Raum bei Raumtemperatur
- Kürzen Sie niemals die Empfängerantenne; dies kann die Reichweite des Funksystems beeinträchtigen.
- Überwenden Sie nur die angegebenen Batterien (4x AAA-Batterien).
- Öffnen Sie die Akkus nicht, nehmen Sie sie nicht auseinander und versuchen Sie nicht, sie zu reparieren.
- Die Akkus nicht zerdrücken/einstecken oder die externen Kontakte kurzschließen.
- Setzen Sie den Akku nicht übermäßiger Hitze oder Flüssigkeiten aus.
- Lassen Sie den Akku nicht fallen und setzen Sie ihn keinen starken Stößen oder Vibrationen aus.
- Always store the battery in a cool, dry place.
- Bewahren Sie den Akku immer an einem kühlen, trockenen Ort auf.
- Verwenden Sie den Akku nicht, wenn er beschädigt ist.

Einschalten

Gehen Sie wie folgt vor, um den Sender einzuschalten:

1. Vergewissern Sie sich, dass die Batterie vollständig geladen und richtig eingesetzt ist.
2. Schalten Sie den Schalter auf die Position [ON]. Wenn der Sender eingeschaltet ist, leuchtet die R.LED.
3. Schließen Sie den Empfänger an das Stromnetz an.
 - Schalten Sie aus Sicherheitsgründen immer zuerst den Sender und dann den Empfänger ein.



Hinweis

- Gehen Sie bei der Bedienung vorsichtig vor, um Schäden oder Verletzungen zu vermeiden.
- Vergewissern Sie sich, dass sich der Gashebel in der niedrigsten Position befindet und die Schalter in ihrer oberen Stellung stehen

Einschalten

1. Gehen Sie wie folgt vor, um den Sender einzuschalten:

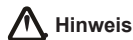
1. Vergewissern Sie sich, dass die Batterie vollständig geladen und richtig eingesetzt ist;
2. Schalten Sie den Schalter auf die Position [ON]. Wenn der Sender eingeschaltet ist, leuchtet die R.LED.;
3. Schließen Sie den Empfänger an das Stromnetz an.

- Schalten Sie aus Sicherheitsgründen immer zuerst den Sender und dann den Empfänger ein.

2. Ausschalten

Führen Sie die folgenden Schritte aus, um das System auszuschalten:

1. Trennen Sie den Empfänger von der Stromversorgung.
2. Schalten Sie den Netzschalter des Senders auf die Position "Aus".



Hinweis

Stellen Sie sicher, dass Sie den Empfänger von der Stromversorgung trennen bevor Sie den Sender ausschalten.

Bei Nichtbeachtung kann zu Schäden oder schweren Verletzungen führen

Transmitter specification

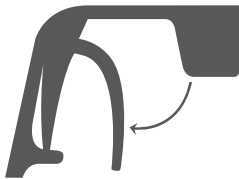
Product Model	HT-TX02
Adaptive model	Car
RF	2.4GHz
Transmitting power	<20dBm
Wireless protocol	ANT
Distance	>30m(ground)
Channel Resolution	256 Grade
Battery	6V DC 1.5AAA*4
Charging Interface	NO
Life time	According to battery type
Low Voltage Warning	<4.45V
Antenna Type	Built-in single antenna
Data interface	NO
Temperature Range	-10°C ~ +60°C
Humidity Range	20-95%
Online Update	NO
Color	Black
Size	152mm *75mm *167mm
Weight	160g
Certification	CE, FCC ID: 2AUBX-HT-TX02

Gasstellung

Neutral



Vorwärts



Rückwärts



Einschalten des Fahrzeugs

Schritt 1: Schalten Sie den Sender ein, der Scheinwerfer des Senders blinkt und wechselt in den Frequenzanpassungsmodus.

Schritt 2: Schalten Sie den Empfänger ein, der Scheinwerfer blinkt und wechselt in den Frequenzanpassungsmodus on for a long time, and the front lights of the vehicle will be off.

Schritt 3: Wenn die Frequenzanpassung zwischen Sender und Empfänger erfolgreich war, leuchten die Scheinwerfer des Senders für eine lange Zeit, und die vorderen Lichter des Fahrzeugs werden aus sein.

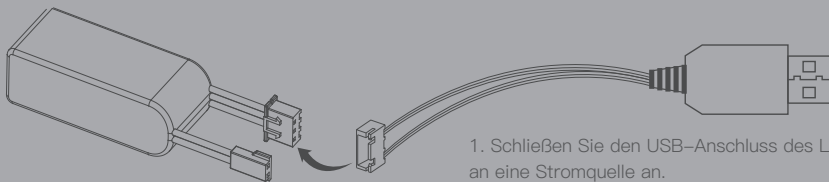
Setting the Gear Mesh

Der Zahnneigriff ist der Abstand zwischen dem Ritzel und dem Hauptzahnrad in Ihrem Fahrzeug. Wenn der Motor oder die Getriebekomponenten ausgetauscht werden, prüfen Sie, ob die Zahnräder nicht zu eng ineinandergreifen, da dies zu vorzeitigem Verschleiß führen kann.



Laden des Akkus

1. schließen Sie das Ladegerät an einen USB-Anschluss an und verbinden Sie den Akku mit dem Ladegerät.
2. während des Ladevorgangs blinkt die grüne LED, wenn der Akku geladen ist, leuchtet die grüne LED stabil.
3. lassen Sie den Akku nicht unbeaufsichtigt aufladen!
4. Wenn der Akku oder das Ladegerät heiß ist, trennen Sie den Akku und das Ladegerät sofort, da dies durch einen internen Kurzschluss verursacht werden kann.

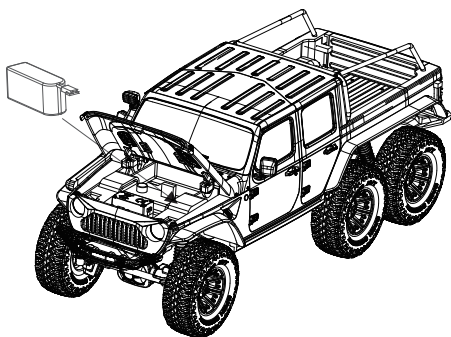
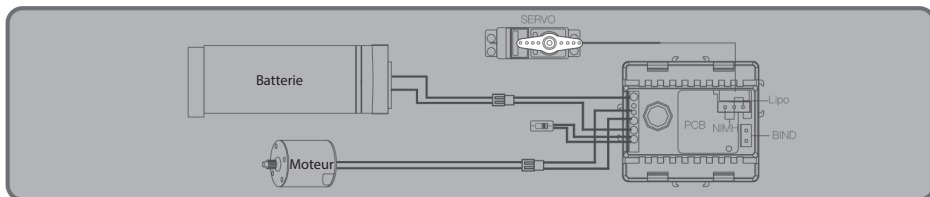


2. Schließen Sie den Akku an das Ladegerät an.

1. Schließen Sie den USB-Anschluss des Ladegeräts an eine Stromquelle an.

Tipps für LiPo Batterien

- Laden Sie LiPo-Akkus immer auf nicht entflammaren, hitzebeständigen Oberflächen.
- Verwenden Sie zum Laden immer einen LiPo-sicheren Beutel oder Behälter. Erlauben Sie den LiPo-Zellen zu keiner Zeit, sich zu überhitzen: Zellen, die eine Temperatur von mehr als 60°C (140 Fahrenheit) erreichen, werden normaler- weise beschädigt und fangen Feuer.
- Laden Sie den LiPo-Akku nicht auf, während er sich noch im Modell befindet. Laden oder lagern Sie Akkupacks niemals in einem Fahrzeug.
- Entladen Sie den LiPo nicht, da dies den Akku beschädigt.
- Setzen Sie LiPo-Zellen zu keiner Zeit Wasser oder Feuchtigkeit aus.
- Lagern Sie den Akku nicht in der Nähe von offenen Flammen oder Heizungen.
- Bauen Sie keine LiPo-Zellen oder vormontierte Packs mit anderen LiPo-Zellen oder Packs zusammen.
- Lagern Sie den LiPo-Akku immer an einem sicheren Ort und außerhalb der Reichweite von Kindern.
- Entfernen Sie immer den LiPo-Akku, wenn das Modell in einen Unfall verwickelt ist.
- Untersuchen Sie den Akku und die Anschlüsse sorgfältig auf kleinste Schäden.
- **ACHTUNG:** Die Zellen können nach dem Gebrauch heiß werden. Lassen Sie den Akku vor dem Aufladen auf Raumtemperatur abkühlen.
- Achten Sie darauf, dass der Elektrolyt nicht in die Augen oder auf die Haut gelangt. Waschen Sie die betroffenen Stellen sofort, wenn sie mit dem Elektrolyt in Berührung gekommen sind. Verändern Sie die Anschlüsse oder Kabel eines LiPo-Akkus nicht.
- Überprüfen Sie immer den Zustand des Akkus, bevor Sie ihn laden und in Betrieb nehmen.
- Schließen Sie den LiPo-Akku nicht kurz.
- Kommen Sie nicht direkt mit einem undichten/beschädigten Akku in Kontakt.
- Laden Sie den Akku nicht außerhalb des empfohlenen Temperaturbereichs (0°C – 45°C).



HINWEIS:

1. Wenn das Gerät längere Zeit nicht benutzt wird, ziehen Sie den Stecker und nehmen Sie die Batterien heraus, um ein Auslaufen der Batterie zu verhindern.
2. Öffnen Sie den Akku nicht, nehmen Sie ihn nicht auseinander und versuchen Sie nicht, ihn zu reparieren.
3. Bitte trennen Sie den Akku vor dem Aufladen vom Empfänger.

Ersatzteilliste

C2174	11812 Motorhaube	C2066	1:18 Kugelkopf
C2175	11812 Scheinwerfer / Rücklichter Set	C2067	1:18 C-Hub / Achsschenkel
C2176	11812 Motorhauben Befestigungs Set	C2188	1:18 Achs-Teile V/H
C2177	11812 Rückspiegel und Scheibenwischer	C2069	1:18 Servo Horn
C2178	11812 Stoßstangenset	C2189	1:18 Spiegelglas
C2179	11812 Scheinwerferverglasung	C2071	1:18 Radmitnehmer
C2180	11812 Karosserie	C2073	1:18 Kugellagersatz
C2181	11812 Türgriffe	C2074	1:18 Steckachse
C2045	TERAZ Reifen 19,2x13,5x56	C2075	1:18 Antriebswelle
C2046	1:18 STAR Style Felgen	C2076	1:18 Getriebe Kunststoffteile
C2134	LIPO Akku 2S LIPO 380mAh für 1:18	C2021	1:18 1kg High Torque Servo (3adrig)
C2182	11812 Beleuchtungsset	C2133	1:18 M4 Kugelkopf
C2051	ROCHOBBY USB Lader	C2120	1:18 MG41 / R4A Sender / Empfängerset
C2057	1:18 Getriebe Set	C2121	R4A ESC / RX Einheit
C2183	1:18 Getriebe Set	C2122	MG41 Sender
C2184	1:18 Schrauben Set	C2190	11812 Armaturen Brett
C2185	1:18 Antriebsachse / Metallgetriebe	C2191	11812 Sitz
C2060	1:18 M2 / M2,5 Schrauben Set	C2192	11812 Schnorchel
C2186	1:18 Fenster	C2193	11812 Hintere Tür
C2063	1:18 Stoßdämpfer Kunststoffteile	C2049	11812 050er Motor
C2187	1:18 Verbindungsstange		

CE Warning

Die für diesen Sender verwendete(n) Antenne(n) muss (müssen) in einem Abstand von mindestens 20 cm zu allen Personen installiert werden und darf (dürfen) nicht zusammen mit einem anderen Sender betrieben werden. Endbenutzer und Installateure müssen die Anweisungen zur Antenneninstallation und die Betriebsbedingungen des Senders erhalten, um die RF Exposition zu erfüllen.

FCC Hinweis

FCC ID: 2AUBX-HT-TX02

Dieses Gerät wurde getestet und entspricht den Grenzwerten für ein digitales Gerät der Klasse B gemäß Teil 15 der FCC-Vorschriften. Diese Grenzwerte sind so ausgelegt, dass sie einen angemessenen Schutz gegen schädliche Störungen bei der Installation in Wohngebieten bieten. Dieses Gerät erzeugt und verwendet Hochfrequenzenergie und kann diese ausstrahlen. Wenn es nicht gemäß den Anweisungen installiert und verwendet wird, kann es schädliche Störungen des Funkverkehrs verursachen. Es kann jedoch nicht garantiert werden, dass bei einer bestimmten Installation keine Störungen auftreten. Wenn dieses Gerät Störungen verursacht Wenn dieses Gerät den Radio- oder Fernsehempfang stört, was durch Ein- und Ausschalten des Geräts festgestellt werden kann, sollte der Benutzer versuchen, die Störung durch eine oder mehrere der folgenden Maßnahmen zu beheben:

- Richten Sie die Empfangsantenne neu aus oder stellen Sie sie um.
- Vergrößern Sie den Abstand zwischen dem Gerät und dem Empfänger.
- Schließen Sie das Gerät an eine Steckdose an, die nicht mit dem Stromkreis des Empfängers verbunden ist.
- Wenden Sie sich an den Händler oder einen erfahrenen Radio-/Fernsehtechniker, um Hilfe zu erhalten.

Um die Einhaltung der Vorschriften zu gewährleisten, können Änderungen oder Modifikationen, die nicht ausdrücklich von der für die Einhaltung der Vorschriften verantwortlichen Partei genehmigt wurden Um die Einhaltung der Vorschriften zu gewährleisten, können Änderungen oder Modifikationen, die nicht ausdrücklich von der für die Einhaltung der Vorschriften verantwortlichen Stelle genehmigt wurden, zum Erlöschen der Betriebserlaubnis führen. Dieses Gerät erfüllt die Anforderungen von Teil 15 der FCC-Vorschriften. Der Betrieb unterliegt den folgenden zwei Bedingungen:

- (1) Dieses Gerät darf keine schädlichen Störungen verursachen.
- (2) Dieses Gerät muss alle empfangenen Interferenzen akzeptieren, einschließlich Interferenzen, die einen unerwünschten Betrieb verursachen können.

Achtung!

Der Hersteller ist nicht verantwortlich für Funk- oder Fernsehstörungen, die durch nicht autorisierte Änderungen an diesem Gerät verursacht werden. Solche Modifikationen können dazu führen, dass der Benutzer die Berechtigung zum Betrieb des Geräts verliert

1. Die für diesen Sender verwendete(n) Antenne(n) muss (müssen) in einem Abstand von mindestens 20 cm zu allen Personen installiert werden und darf (dürfen) nicht mit anderen Sendern zusammengeschaltet oder zusammen betrieben werden. Endbenutzer und Installateure müssen die Anweisungen zur Antenneninstallation und die Betriebsbedingungen des Senders erhalten, um die die Einhaltung der RF-Exposition.
2. Bringen Sie alle Ihre Kanäle in die gewünschte Position.
3. Wählen Sie [Alle Kanäle] und dann [Ja] im Bestätigungsfeld.

Konformitätserklärung

Wir,
Add: Zimmer 701, Block B, Luo Tian Community
Xiangshan Road 142, Songgang Street, Shenzhen
Baoan Bezirk China

Phone: 0769-86976655
Web: www.rochooby.com

erklären unter unserer Verantwortung, dass das Produkt:
Art der Ausrüstung: Antriebssystem und 2,4-GHz-Steuersystem
Markenname: ROCHOBBY
Kompatibel für Fahrzeuge: 1:18 Cheyenne 6x6
Ausrüstung Modell: 11812



auf das sich diese Erklärung bezieht, mit den grundlegenden Anforderungen und anderen einschlägigen Anforderungen übereinstimmt. Mit der Richtlinie 2014/53/EU, der EMC-Richtlinie 2014/30/EU, der FCC-Kennzeichnung N4ZMG400, EU-RoHS-Richtlinie 2011/65/EU und Richtlinie 2014/30/EU des Rates. Das Produkt ist konform mit mit den folgenden Normen und/oder anderen normativen Dokumenten:

ETSI EN 301 489-1 V2.2.3(2019-11)
ETSI EN 301 489-17 V3.2.4(2020-09)
EN 55032:2015+A11:2020
EN 55035:2017+A11:2020
EN61000-3-2:2014
EN61000-3-3:2013
EN : 62479:2010
ETSI EN 300 328 V2.2.2 (2019-07)

VERTEILER

Germany, Austria,
D-Power Modellbau
Sürther Str. 92-94
D-50996 Köln
Germany
Tel: (0221) 346 641 57

Introduction

Le nouveau Cheyenne 6x6 au 1/18 est le dernier né de la gamme de crawlers maquettes ultra-détaillés disponibles chez ROCHOBBY. Ce crawler à 6 roues motrices vraiment unique basé sur le véritable véhicule offre le même look et la même attitude que le véhicule sur lequel il se base. Tout comme ses frères et sœurs, le Cheyenne 6x6 RocHobby au 1/18 vous est proposé avec une grande quantité de détails maquettes au réalisme extrême, tels qu'un kit de pare-chocs Rhino complet, un ensemble complet de phares, feux et clignotants étanches à l'avant comme à l'arrière, un arceau de sécurité, et même une grille de ventilation et un schnorkel à l'échelle. À l'arrière du véhicule, le hayon peut également être ouvert pour faciliter le chargement et le déchargement de la cargaison.

L'attention portée aux détails maquettes ne s'arrête pas là ! À l'intérieur de la cabine, vous trouverez le même soin apporté aux détails réalistes, de la console centrale détaillée aux sièges, et même un vrai rétroviseur. Rien n'a été négligé par l'équipe de conception du véhicule lors de la reproduction de cette maquette de véhicule vraiment unique, car pour nous, le souci du détail est primordial pour satisfaire l'amateur de maquettes lors de la reproduction de ces véhicules à l'échelle.

Tout comme sur le véritable crawler tout terrain, les performances hors pistes du Cheyenne 6x6 au 1/18 se font remarquer tout autant que le soin apporté aux détails maquettes. Une puissante motorisation à transmission 6x6 avec essieu intermédiaire indépendant garantit non seulement qu'il est plus que capable de conquérir tous les types de terrains qu'il peut rencontrer, mais elle fournit également au Cheyenne un très haut niveau d'adhérence et de traction, ce qui signifie que même les pentes les plus raides ne sont pas un problème pour ce monstre de puissance. Et c'est encore amélioré par le système de suspension multi-bras très efficace et les sculptures maquettes à haute adhérence des pneus tendres.

Le Cheyenne 6x6 au 1/18 est doté de la même conception de châssis rigide en échelle que les modèles RocHobby existants. Pour le Cheyenne, les poutres du châssis en métal robuste ont été allongées pour s'adapter à la conception à

empattement plus long du système de transmission 6x6.

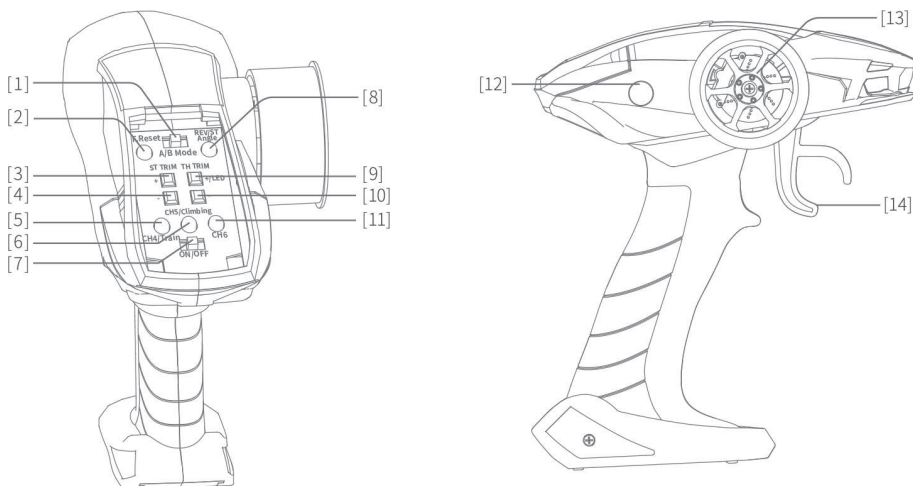
La direction très précise est un montage à "tirant" complet, avec un puissant servo 9 g étanche positionné là où serait

normalement le boîtier de direction assistée du véhicule réel. En plus de tout cela, la conception de la carrosserie large

du véhicule abaisse également le centre de gravité du véhicule, offrant une stabilité de conduite accrue sur toutes sortes de terrains, y compris même lors de traversées de flaques d'eau et de zones humides grâce à l'ajout d'une électronique étanche!

Le nouveau Cheyenne 6x6 ROCHOBBY au 1/18: Un crawler tout-terrain économique à ne pas manquer!

Vue d'ensemble de l'émetteur



[1]	Sélecteur Mode A/B	[8]	Mode A - Bouton d'inversion Mode B - Limitation d'angle de braquage
[2]	Mode A - Bouton Reset (F.Reset)	[9]	Mode A - Trim de gaz + (TH TRIM+) Mode B - Inter d'éclairage 1 mode B
[3]	Mode A - Trim de direction + (ST TRIM+)	[10]	Mode A - Trim de gaz - (TH TRIM-) Mode B - Inter d'éclairage 2 mode B
[4]	Mode A - Trim de direction - (ST TRIM-)	[11]	Voie 6 (Réservée)
[5]	Mode B - Mode entraînement (Non disponible sur ce véhicule)	[12]	Bouton de changement de rapport
[6]	Mode B - Mode Crawling	[13]	Volant
[7]	Interrupteur d'alimentation	[14]	Gâchette des gaz

Bouton	Fonction	Mode A/B et explications
F.Reset	En cas de dérèglement, permet de réinitialiser l'émetteur aux paramètres d'usine.	Assurez-vous que le sélecteur de mode est sur le Mode A. Maintenez le volant en butée à droite ou à gauche et appuyez simultanément sur le bouton F.Reset. Après deux bips, les réglages d'usine par défaut sont réinitialisés.
REV / ST Angle	Après remplacement du servo de direction, le sens du servo de direction est inversé.	Assurez-vous que le sélecteur de mode est sur le Mode A. Tournez le volant vers la gauche ou vers la droite, et appuyez simultanément sur le bouton REV. Un son indique que l'inversion du sens de la direction est réalisée.
	Après échange du moteur, le sens de circulation est à l'envers.	Assurez-vous que le sélecteur de mode est sur le Mode A. Poussez ou tirez la gâchette des gaz, et appuyez simultanément sur le bouton REV. Un son indique que l'inversion du sens des gaz est réalisée.
	Réglage du rayon de braquage : Options 30 %, 50 %, 100 %	Assurez-vous que le sélecteur de mode est sur le Mode B. Appuyez sur le bouton ST Angle. Un bip signifie que le rayon de braquage limité à 30 % est sélectionné. Appuyez à nouveau sur le bouton ST Angle. Deux bips signifient que le rayon de braquage limité à 50 % est sélectionné. Appuyez à nouveau sur le bouton ST Angle. Trois bips signifient que le rayon de braquage à 100 % est sélectionné. Un nouvel appui sur le bouton ST Angle lance un nouveau cycle, un bip indique que le rayon de braquage limité à 30 % est sélectionné et ainsi de suite.
ST TRIM+ ST TRIM-	Si volant au neutre, la direction n'est pas centrée.	Assurez-vous que le sélecteur de mode est sur le Mode A. Appuyez sur le bouton ST TRIM+ ou ST TRIM- pour régler finement le neutre de la direction. A chaque appui, un bip est émis. Quand la valeur maxi ou mini est atteinte, un bip long sera émis. Quand vous atteignez la valeur milieu, un double bip est émis.
TH TRIM+ TH TRIM-	Si gâchette des gaz au neutre, la fonction des gaz n'est pas centrée.	Assurez-vous que le sélecteur de mode est sur le Mode A. Appuyez sur le bouton TH TRIM+ ou TH TRIM- pour régler finement le neutre des gaz. A chaque appui, un bip est émis. Quand la valeur maxi ou mini est atteinte, un bip long sera émis. Quand vous atteignez la valeur milieu, un double bip est émis.
LED	Réglage des éclairages	Ein Button für den Multi-Mode.
Train	Permet d'activer le mode débutant	Assurez-vous que le sélecteur de mode est sur le Mode B. Appuyez sur le bouton Train. Un bip indique que vous êtes en mode débutant. A présent, la puissance des gaz est limitée à 50 %. Appuyez de nouveau sur le bouton Train, deux bips sont émis et vous revenez à la puissance normale.
Climbing	Règle le mode pour le crawling	Assurez-vous que le sélecteur de mode est sur le Mode B. Appuyez sur le bouton Climbing. Un bip est émis. Désormais, si vous relâchez la gâchette des gaz, une fonction de freinage s'active. Il n'est pas facile de reculer quand vous êtes sur une pente accentuée. Appuyez de nouveau sur le bouton Climbing. Deux bips sont émis, et vous êtes revenu en mode normal.

Alarmes	
Emetteur : Alarme de non-utilisation	Si vous n'agissez sur aucune commande de l'émetteur durant 10 minutes, une alarme retentit. Deux minutes plus tard, l'émetteur se met en veille.
Emetteur : Alarme de fréquence	Si l'émetteur n'est pas connecté au récepteur, l'indicateur lumineux clignote.
Emetteur : Non-correspondance de fréquence + Alarme de tension < 4,5V	L'indicateur lumineux de l'émetteur clignote lentement et un son est émis.
Emetteur : Tension inférieure à 4,5 V	L'indicateur lumineux de l'émetteur clignote lentement
Véhicule : Alarme de fréquence	Les phares avant clignent
Véhicule : Tension faible (6,3-6,4V)	Toutes les LEDs clignent, plus de contrôle de la direction ni des gaz.
Véhicule : Alarme de batterie restée branchée	Si le véhicule ne reçoit aucun signal, il va clignoter d'avant en arrière après 10 minutes et se mettra en veille deux minutes plus tard.

Nombre d'appuis								
Bouton	LigPosition d'éclairage	Fonction	Eclairage est coupé par défaut	I	II	III	Moyen de contrôle	Remarques
LED1#	Phares avant	Feux de recul	OFF	•	OFF			
		Warnings	OFF	OFF	•			
	Feux arrière		•	•	•	Contrôle par commande des gaz	Le feu de recul s'allume lors de la marche arrière.	
	Clignotants	Clignotant gauche	○	○	○	Contrôle par commande de direction		
Clignotant droit		○	○	○	Contrôle par commande de direction			

Mise en place des piles de l'émetteur

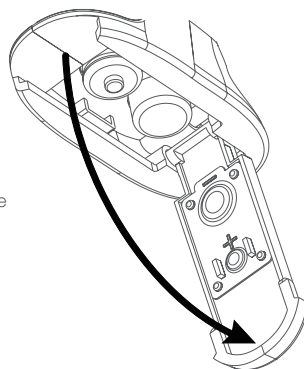
Battery Type: AAA

Mise en place

1. Open the battery compartment cover.
2. Placez 4 piles complètement chargées dans le logement. Assurez-vous que les piles font un bon contact avec les contacts du logement des piles.
3. Remettez la trappe en place.

Alarme de piles faibles : Quand la tension des piles est inférieure à 4,2V, la LED verte sur le panneau de contrôle clignote lentement.

Note: Lors de la mise en place des piles, assurez-vous de respecter la polarité (comme montré sur le schéma à droite).



Avertissements

- Ce véhicule n'est pas conçu pour une utilisation par des personnes de moins de 14 ans sans surveillance par un adulte. Ce n'est pas un jouet ! Ne pas utiliser ou entretenir ce véhicule en sécurité peut provoquer des blessures.
- Remplacez les éléments endommagés par des pièces d'origine. Faites particulièrement attention à la polarité de tous les câblages du véhicule.
- Utilisez exclusivement des batteries Lithium-Polymère 2S approuvées. Ne surchargez pas, et ne déchargez pas excessivement la batterie, car ceci peut conduire à un risque d'incendie **de la batterie. Si la batterie s'échauffe durant la charge, stoppez immédiatement la charge et** débranchez la batterie du chargeur. Ne laissez jamais la batterie sans surveillance durant la charge. Si vous n'êtes pas certain de la façon de charger la batterie, faites appel à un modéliste RC expérimenté. Ne laissez jamais les enfants charger la batterie sans surveillance.
- **Le moteur s'échauffe durant le fonctionnement. Attendez 10 à 15 minutes entre chaque run afin** de laisser le véhicule refroidir. Ceci prolongera la durée de vie de votre véhicule.
- Faites preuve de bon sens lors du choix du site où vous utilisez votre véhicule. Ne l'utilisez pas à proximité de câbles électriques, de tours de télécommunication ou d'antennes de réseau mobile, de terrains détrempés ou instables. L'utilisateur est seul responsable de ses actes.
- Le produit est constitué d'éléments électriques et électroniques de précision. Il est primordial de tenir le produit à l'écart de l'humidité et d'autres polluants. Si le produit a été exposé à l'humidité, assurez-vous que l'électronique a pu sécher complètement avant une nouvelle utilisation.
- **Vérifiez toujours la portée radio du véhicule avant toute utilisation afin d'éviter une perte de** contrôle ou des interférences.
- Utilisez ce produit en tenant compte de votre niveau de compétences. S'il est dangereux de récupérer le modèle, ça ne vaut jamais la peine de prendre un risque.
- Allumez toujours l'émetteur avant de connecter la batterie du modèle. Quand vous éteignez le modèle, commencez toujours par débrancher la batterie du véhicule, puis, éteignez l'émetteur. Si vous procédez en ordre inverse, le modèle peut devenir incontrôlable et causer des dégâts importants.
- Ne laissez jamais l'émetteur fonctionner avec des piles faibles, vous pourriez perdre le contrôle du véhicule.
- Les plastiques du véhicule peuvent être endommagés ou déformés en cas de conditions climatiques extrêmement chaudes ou froides. Ne stockez pas le modèle près d'une source de chaleur comme un four ou un radiateur. Rangez le modèle à l'intérieur dans une pièce tempérée.
- **Ne raccourcissez jamais l'antenne du récepteur. Cela peut affecter la portée de transmission de** l'ensemble radio.
- **Utilisez uniquement les piles spécifiées (4 piles AAA).**
- Ne pas ouvrir, démonter ou tenter de réparer la batterie.
- Ne pas couper ou poinçonner la batterie, ne pas faire de court-circuit entre les contacts.
- Ne pas exposer à une chaleur excessive ou à des liquides.
- Ne pas laisser tomber la batterie, ne pas l'exposer à des chocs importants ou à des vibrations.
- Ranger toujours la batterie dans un endroit frais et sec.
- N'utilisez pas la batterie si elle est endommagée.

Mise sous tension

Suivez ces étapes pour allumer l'émetteur:

1. Vérifiez que la batterie est complètement chargée et correctement mise en place.
2. Mettez l'inter de l'émetteur sur ON. La LED rouge s'allume.
3. Connectez la batterie au récepteur.

* Pour la sécurité, allumez toujours l'émetteur avant le récepteur.



Note

- Soyez prudent afin d'éviter des dégâts ou des blessures.
- Vérifiez que les gaz sont au minimum et que les interrupteurs sont en bonne position.

Instructions pour l'appairage

Après la préparation, suivez ces instructions pour utiliser le système.

1. Appairage automatique (l'émetteur et le récepteur ont été appairés avant que quitter l'usine).

Si vous avez besoin de remplacer soit l'émetteur, soit le récepteur, suivez les étapes ci-dessous pour refaire l'appairage:

1. Quand l'émetteur est allumé et que le mode de correspondance de code est actif, la LED clignote.
2. Le récepteur est mis sous tension et les LEDs à l'avant restent clignotantes pour entrer le code correspondant.
3. Quand l'appairage est réussi, toutes les LEDs sur l'émetteur sont allumées et toutes celles du véhicule sont éteintes.

Note: Pour l'appairage, merci de faire fonctionner l'émetteur en premier pour entrer en mode d'appairage, puis faites fonctionner le récepteur pour le faire entrer en mode de correspondance de code.

2. Mise hors tension

Suivez les étapes ci-dessous pour éteindre le système :

1. Débranchez l'alimentation du récepteur.
2. Basculez l'interrupteur de l'émetteur sur la position OFF.



Note

Assurez-vous de débrancher toujours l'alimentation du récepteur avant d'éteindre l'émetteur. Ne pas le faire peut entraîner des dégâts ou des blessures graves.

Caractéristiques de l'émetteur

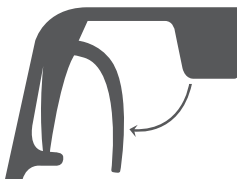
Modèle du produit :	HT-TX02
Type de modèles adaptés :	Voitures
Bande de fréquence	2.4GHz
Puissance d'émission	<20dBm
Protocole sans fil	ANT
Portée	> 30 m (au sol)
Résolution des voies	256 pas
Piles	4 x piles AAA 1,5 V, soit 6V DC
Interface de charge	Non
Autonomie	Dépend du type de piles
Alarme de tension faible	<4,45V
Type d'antenne	Antenne unique intégrée
Interface de données	Non
Plage de température	-10°C ~ +60°C
Plage d'humidité	20-95 %
Mise à jour en ligne	Non
Couleur	Noire
Dimensions	152 x 75 x 167 mm
Poids :	160g
Certification	CE, FCC ID : 2AUBX-HT-TX

Positions de la gâchette des gaz

Position neutre



A fond en marche avant



A fond en marche arrière



Utilisation du véhicule

ETAPE 1: Allumez l'émetteur. La LED avant de l'émetteur clignote et entre en mode d'appairage automatique.

ETAPE 2: Allumez l'interrupteur du récepteur, les phares vont clignoter et entrer en mode d'appairage.

ETAPE 3: Quand l'émetteur et le récepteur sont appairés, les LEDs à l'avant de l'émetteur restent allumées et les phares de la voiture s'éteignent.

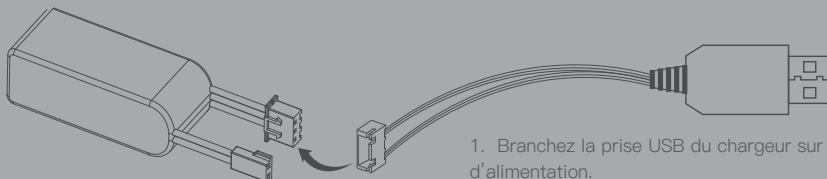
Réglage de l'entredent

L'entredent est le jeu entre le pignon et la couronne de votre véhicule. Si vous remplacez le moteur ou des éléments de la pignonerie, vérifiez que l'entredent n'est pas trop serré, car cela peut engendrer une usure prématurée.



Charge de la batterie

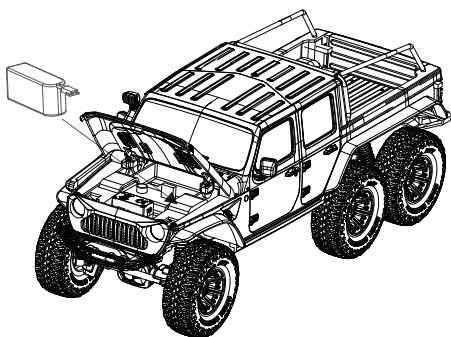
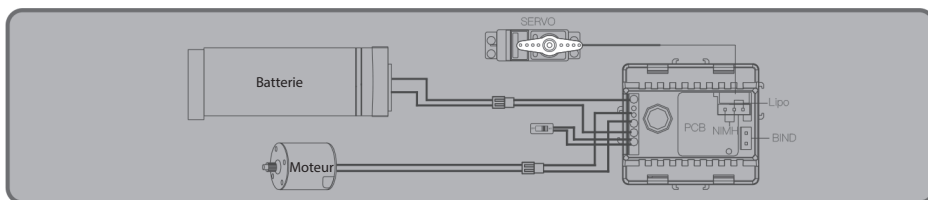
1. Branchez le chargeur sur un port USB alimenté, puis connectez la batterie au chargeur.
2. Durant la charge, la LED verte clignote. Quand la charge est terminée, la LED verte est allumée fixe.
3. Ne laissez pas la batterie en charge sans surveillance !
4. Si la batterie ou le chargeur s'échauffent, débranchez immédiatement la batterie et le chargeur, car cela peut être causé par un court-circuit interne.



1. Branchez la prise USB du chargeur sur une source d'alimentation.
2. Connectez la batterie au chargeur

Conseils pour les batteries LiPo

- Chargez toujours les batteries LiPo sur une surface ininflammable et résistant à la chaleur.
- Utilisez toujours un sac de charge pour LiPo ou un container durant la charge. Ne laissez jamais les éléments LiPo surchauffer. Des éléments qui dépassent les 60 °C (140 °F) sont en général endommagés et vont prendre feu.
- Ne chargez jamais les batteries LiPo à l'intérieur du modèle. Ne chargez pas et ne stockez pas de batteries à l'intérieur d'un véhicule.
- Ne déchargez pas exagérément les LiPo. Cela endommage la batterie.
- N'exposez pas les éléments LiPo à l'humidité ou à l'eau.
- **Ne rangez pas des batteries à proximité de flammes ou d'un radiateur.**
- N'assemblez pas des éléments LiPo ou des packs pré-assemblés ensemble ou avec d'autres éléments ou packs LiPo.
- Sortez toujours la batterie LiPo du modèle si celui-ci a subi un quelconque accident.
- Rangez toujours les batteries LiPo hors de portée des enfants.
- Inspectez l'état de la batterie et des connecteurs à la recherche du moindre dommage.
- **ATTENTION** Les éléments peuvent être chauds après utilisation. Laissez le pack refroidir à température ambiante avant de le recharger.
- Ne laissez pas l'électrolyte entrer dans les yeux ou en contact avec la peau. Si cela arrive, rincez abondamment à l'eau. **N'altérez pas et ne modifiez pas les connecteurs ou les fils d'un pack LiPo.**
- **Vérifiez toujours l'état de la batterie avant de la charger et de l'utiliser.**
- Ne mettez pas une batterie LiPo en court-circuit.
- Ne touchez pas directement une batterie endommagée ou qui fuit.
- Ne chargez pas une batterie par une température en dehors de la plage recommandée (Entre 0 °C et 45 °C)



Avertissement:

1. Lorsque le modèle n'est pas utilisé pendant une longue période, la batterie doit être débranchée et retirée du modèle afin d'éviter des fuites.
2. Ne jamais ouvrir, démonter ou réparer la batterie.
3. S'il vous plaît, déconnectez la batterie du récepteur avant de mettre en charge.

Liste des pièces de rechange

C2174	11812 – Capot	C2066	Chape pour rotule pour 1/18
C2175	11812 – Jeu de boîtiers de phares AV et AR	C2067	Boîtier de direction et axe pour 1/18
C2176	11812 – Set de fixation de capot	C2188	11812 – Pièces d'essieu AV/AR 1/18
C2177	11812 – Rétroviseur et essuie-glaces	C2069	Palonnier de servo pour 1/18
C2178	11812 – Jeu de pare-chocs	C2189	11812 – Miroir de rétroviseur 118
C2179	11812 – Jeu d'optiques de phares	C2071	Hexagone de roue pour 1/18
C2180	11812 – Carrosserie	C2073	Jeu de roulements pour 1/18
C2181	11812 – Jeu de poignées	C2074	Axe de roue AR 1/18
C2045	Pneu Teraz 19.2 x 13.5 x 56	C2075	Arbre de sortie AV 1/18
C2046	Pièces plastiques de jantes 1/18 style Star	C2076	Pièces plastique de boîtier de transmission
C2134	Batterie LiPo 2S 380 mAh RocHobby pour 1/18	C2021	Servo couple 1 kg.cm 3 fils pour 1/18
C2182	11812 – Set d'éclairage 1/18	C2133	Rotule M4 pour 1/18
C2051	Chargeur USB RocHobby	C2120	Ensemble émetteur récepteur MG41 + R4A
C2057	Jeu de pignons plastique 1/18	C2121	Combo Variateur-récepteur R4A
C2183	11812 – Jeu complet d'arbres de transmission 1/18	C2122	Emetteur MG41
C2184	11812 – Set de vis pour 1/18	C2190	11812 – Tableau de bord 1/18
C2185	11812 – Pignons métal arbre de transmission 1/18	C2191	11812 – Siège 1/18
C2060	Jeu de vis M2 et M2,5 pour 1/18	C2192	11812 – Schnorkel 1/18
C2186	11812 – Vitres	C2193	11812 – Porte AR 1/18
C2063	Pièces plastiques d'amortisseurs pour 1/18	C2049	Ensemble moteur 050 pour 1/18
C2187	11812 – Tirant		

Avertissement CE

La ou les antennes utilisées sur cet émetteur doivent être installées afin de procurer une distance de séparation d'au moins 20 cm de toute personne et ne doivent pas être colocalisées ou utilisées en conjonction avec tout autre émetteur. Les utilisateurs finaux et les installateurs doivent être livrés avec les instructions d'installation d'antenne et les conditions d'utilisation de l'émetteur afin de respecter les règlements sur l'exposition aux rayonnements RF.

Appendice I - Déclaration FCC

FCC ID: 2AUBX-HT-TX02

Cet équipement a été testé et déclaré conforme aux limites d'un appareil numérique de classe B conformément à la part 15 des règlements FCC. Ces limites sont conçues pour fournir une protection raisonnable contre les interférences nuisibles dans une installation résidentielle. Cet équipement génère, utilise et peut émettre de l'énergie radioélectrique et, s'il n'est pas installé et utilisé conformément aux instructions, peut provoquer des interférences nuisibles aux communications radio. Cependant, il n'y a aucune garantie que des interférences ne se produiront pas dans une installation particulière. Si cet équipement provoque des interférences nuisibles à la réception radio ou télévision, ce qui peut être déterminé en éteignant et en rallumant l'équipement, l'utilisateur est encouragé à essayer de corriger l'interférence par une ou plusieurs des mesures suivantes:

- Réorientez ou déplacez l'antenne de réception.
- Augmenter la séparation entre l'équipement et le récepteur.
- Branchez l'équipement dans une prise sur un circuit différent de celui auquel le récepteur est connecté.
- Consultez le revendeur ou un technicien radio/TV expérimenté pour obtenir de l'aide.

Pour assurer une conformité continue, tout changement ou modification non expressément approuvé par la partie responsable de la conformité pourrait annuler le droit de l'utilisateur à utiliser cet équipement.

Cet équipement est conforme à la part 15 des règlements FCC. L'exploitation est soumise aux deux conditions suivantes:

- (1) Cet appareil ne doit pas provoquer d'interférences nuisibles.
- (2) Cet appareil doit accepter toute interférence reçue, y compris les interférences pouvant provoquer un fonctionnement indésirable.

Attention!

Le fabricant n'est pas responsable des interférences radio ou TV causées par des modifications non autorisées de cet équipement. De telles modifications pourraient annuler le droit de l'utilisateur à utiliser l'équipement. Les antennes utilisées pour cet émetteur doivent être installées de manière à fournir une distance de séparation d'au moins 20 cm de toutes les personnes et ne doivent pas être co-localisées ou fonctionner conjointement avec un autre émetteur. Les utilisateurs finaux et les installateurs doivent recevoir les instructions d'installation de l'antenne et les conditions de fonctionnement de l'émetteur pour satisfaire à la conformité d'exposition aux RF.

Déclaration de conformité (DoC)

Nous,
Add:Room701,Block B, Luo Tian Community
Xiangshan Road142, Songgang Street, Shenzhen
Baoan District Chine

Phone:0769-86976655
Web:www.rochobby.com

Déclarons sous notre responsabilité que le produit:

Type d'équipement: Ensemble de pilotage et de contrôle 2,4 GHz

Marque: ROCHOBBY

Compatible for cars: 1:18 Cheyenne 6x6

Equipment Model: 11812



auquel cette déclaration se rapporte est conforme aux exigences essentielles et aux autres exigences pertinentes de la directive 2014/53/UE, de la directive EMC 2014/30/UE, de la directive EMC 2014/53/UE, de l'identificateur FCC N4ZMG400, de la directive européenne RoHS 2011/ 65/UE et directive du conseil 2014/30/UE. Le produit est conforme aux normes et/ou autres documents normatifs suivants:

ETSI EN 301 489-1 V2.2.3(2019-11)
ETSI EN 301 489-17 V3.2.4(2020-09)
EN 55032:2015+A11:2020
EN 55035:2017+A11:2020
EN61000-3-2:2014
EN61000-3-3:2013
EN : 62479:2010
ETSI EN 300 328 V2.2.2 (2019-07)

DISTRIBUTOR

France, Benelux:

Beez2B sprl

54 rue de Thy

B-1470 Baisy Thy

Belgique 3 Tél. : +32 2 376 71 82

产品介绍

1: 18 Cheyenne 6X6 角斗士

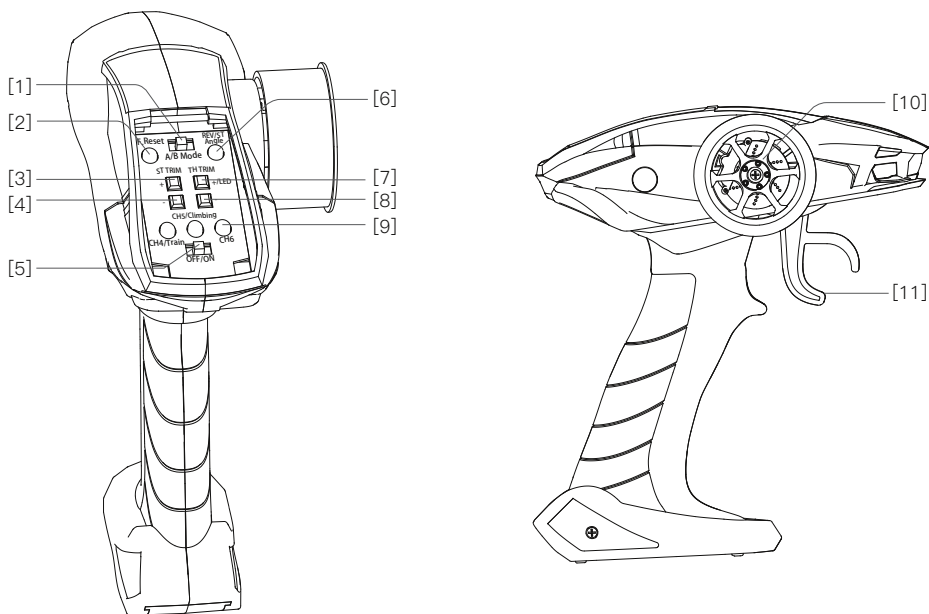
静态模型级别的六驱攀爬车，外观霸气，车头黑色散热格栅，配备了大灯组，转向联动灯光，前杠预留了灯位，采用与原型车一样的加宽轮眉。车尾也有带联动灯组与车头相呼应。驾驶舱内饰、中控台、座椅都十分像真。后视镜使用真的镜片，还有涉水喉等像真细节。后货斗尾门可以打开并装有像真防滚架，方便装卸货物。

作为迷你硬派6轮越野攀爬车。强悍的6x6全时驱动系统，完全独立的中间轴可提供额外的动力克服各种障碍，6轮驱动还可以提供更大的牵引力，对应更陡峭的斜坡，并在松散的岩石地面提供更大的抓地力。

1: 18角斗士亦有硬派底盘设计。采用加长轴距设计和6个驱动轮，金属大梁确保车架保持良好刚性。多连杆悬挂与止推杆设计搭配高效精准舵机动作。超高扭力的齿轮箱与尼龙传动轴将动力传递到车轴，再通过抓地力强的夹片式软胎传递至地面。此外，宽大的车身设计能有效降低整车的重心、增加行驶的稳定性。车架全封闭式设计，可以保证车辆涉水行驶。

ROCHOBBY 1:18角斗士，一款你不能错过的性价比优越的越野攀爬车！

发射机概览



[1]	A/B模式切换键	[7]	油门微调+ (TH TRIM+) A模式/灯控切换1 B模式
[2]	复位按键 (F.Reset) A模式	[8]	油门微调- (TH TRIM-) A模式/灯控切换2 B模式
[3]	转向微调+ (ST TRIM+) A模式	[9]	通道6 (预留)
[4]	转向微调- (ST TRIM-) A模式	[10]	转向方向盘
[5]	电源开关	[11]	油门扣机
[6]	反向按键 A模式/转向角度限位 B模式		

A/B 模式功能拨动开关		
F.Reset	在使用时错乱设置, 调不回正常状态, 可以使用actory.Reset功能	确保模式功能拨动开关在A模式下, 扭住方向盘左或右, 同时单击F.Reset按键, 在两声长响后, 表示已完成出厂设置。
REV	在更换转向舵机后, 出现反向	确保模式功能拨动开关在A模式下, 扭住方向盘左或右, 同时单击REV按键, 在长响后, 表示已完成转向舵机反向设置。
	在更换电机后, 出现反向	确保模式功能拨动开关在A模式下, 拉或推住油门, 同时单击REV按键, 在长响后, 表示已完成电机反向设置。
	调整30%/50%/100%转向幅度	确保模式功能拨动开关在B模式下, 单击ST Angle按键, 在一声长响后, 表示已完成设置30%转向幅度。再单击ST Angle按键, 会听到长响两声, 表示已完成设置50%转向幅度。再单击ST Angle按键, 会听到长响三声, 表示已完成设置100%转向幅度。再单击为循环到一声长响, 表示已完成设置30%转向幅度。
ST TRIM	当转向中位不正中	确保模式功能拨动开关在A模式下, 按下ST TRIM+或-按键可进行转向中位微调。每单击按键都会响一声。当到达最大值及最小值时, 会出现一声长响。当到达中位值时会发出双响。
TH TRIM	当油门中位不正中	确保模式功能拨动开关在A模式下, 按下TH TRIM+或-按键可进行油门中位微调。每单击按键都会响一声。当到达最大值及最小值时, 会出现一声长响, 当到达中位值时会发出双响。
LED	设置灯效模式	一键式循环多模式切换。

发射器: 遗忘提醒	发射器在未有收到任何命令下, 10分钟后会发出报警声, 2分钟后进入休眠
发射器: 对频提醒	当发射器没有匹配接收器时, 发射器的指示灯不停快闪亮
发射器: 没有对频+低电提醒4.5V	发射器的指示灯慢闪, 及发出声响
发射器: 低电提醒4.5V	发射器的指示灯慢闪
车:对频提醒	车前灯不断闪亮
车:低电警报6.3-6.4V	所有灯不短闪亮, 转向及油门不受控
车:遗忘提醒	车辆未收到任何信号, 10分钟后会前后跳闪灯, 2分钟后进入休眠

按钮 车灯位置		功能	按次数			控制方式	备注
			开机默认关闭	I	II		
LED 1#	车头部灯	前灯常亮	关闭	•	关闭		
		前灯高光常亮	关闭	关闭	•		
	车尾部灯		•	•	•	油门联动控制	倒车操作时 倒车灯亮
	转向灯	左转灯	○	○	○	方向联动控制	
右转灯		○	○	○	方向联动控制		

发射机电池安装

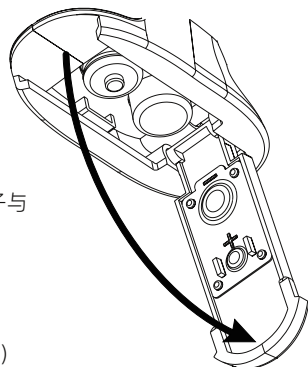
电池类型使用: AAA电池

请按照以下步骤安装发射机电池:

1. 打开电池仓盖。
2. 将4颗电量充足的AAA电池装入电池仓内, 确保电池上的金属端子与电池仓内的金属端子接触。
3. 盖好电池仓盖。

低电量报警: 当电量低于4.2v时, 面板上的LED慢闪报警提示。

注: 安装电池时, 请注意电池正负极, 避免安装错误。(如右图所示)



警告

- 本产品非玩具级别，不适合14岁以下的儿童操作使用。未成年人应在有经验的成年人陪同下操作使用。
- 请使用原厂部件更换损坏的部件。特别注意所有车辆接线的正负极。
- 只能使用2节锂聚合物电池。不要过度充电或过度放电，以免电池泄露或损坏产生火灾隐患。如果电池在充电过程中温度过热，请立即停止充电，并将电池与充电器断开。请勿在无人看管的情况下给电池充电。
- 如果您不确定如何安全地进行充电，请向经验丰富的遥控模型产品玩家寻求建议。不要让孩子在没有成人监督的情况下给电池充电。
- 由于电机在使用过程中会发热，两次操作中要留出大约10–15分钟的时间冷却电机，以延长产品的使用寿命。
- 务必选择合适的环境操作遥控模型，所选环境需远离电缆、无线电塔、深水及不稳定地形。本品操作者对其行为全权负责。的环境中，请确保将电子部件完全晾干以后再使用。
- 确保每次操作前检查车辆的无线接收范围，以防止无线信号丢失或受干扰。
- 在您的能力范围内操作此产品。在任何时候，如果车辆操作有危险，则绝对不值得冒险。
- 通电方式:务必先开遥控器再将车子通电。断电方式:务必先将车子断电再关遥控器。以上顺序如逆转，则可能引起遥控模型失控，导致人身伤害或财产损失。
- 遥控器电池低电时，不要操作模型车，以免造成失控。
- 模型产品上的塑胶件容易因极冷或极热气候出现变形或损坏的状况。所以请将模型产品存放在气候受控的室温环境中，切勿靠近任何热源，如烤箱或加热器等。
- 切勿更改接收机天线的长度，以免影响无线电系统的接收范围。
- 仅使用厂家指定的电池。
- 请勿打开、拆卸或自行维修电池。
- 请勿挤压、刺穿或接触电池的金属端子。
- 请勿将电池置于高温环境或液体中。
- 请注意防止电池跌落、碰撞或振动。
- 请将电池存放在干燥阴凉的环境中。
- 如果电池损坏，请立即停止使用。

开机操作

1. 检查系统状态，确保：
 - 电池电量充足且安装正确。
2. 将开关拨到【ON】位置，LED灯常亮。
3. 连接接收机电源。
 - 为保障模型及人员安全，使用时请先打开发射机再给接收机上电



警告

- 此时系统已启动，请谨慎操作，否则可能导致产品损坏或人员伤亡。
- 为了您的安全请将发射机开关和油门打到安全位置。

操作指引

准备操作完成后，您可以按照本章指引开始使用本产品。

1、自动对码（发射机和接收机在出厂前已对码成功。）

如需更换其他的发射机或接收机，请按照如下步骤进行对码：

- 1.发射器电源打开，对码模式，灯不停闪亮；
- 2.接收板电源打开，前车灯不停闪亮，进入对码模式；
- 3.当对码成功，发射机灯全亮，车上面的灯全部关闭；

注意：对码时请先操作发射机进入对码状态，再操作接收机进入对码状态。

2、关机

请按照以下步骤关机：

- 1.断开接收机电源。
- 2.将开关拨到[OFF]位置，使发射机关闭。



危险

- 关闭时，请务必先关闭接收机电源，再关闭发射机，否则可能导致模型损坏、人员受伤。

发射机规格

产品型号	HT-TX02
适配模型	车
无线频率	2.4GHz
发射功率	<20dBm
无线协议	ANT
遥控距离	>30m(空旷无干扰地面距离)
通道分辨率	256级
电池	6V DC 1.5AAA*4
充电接口	无
续航时间	依电池类型
低电压报警	<4.45V
天线类型	内置单天线
数据接口	无
温度范围	-10°C ~ +60°C
湿度范围	20-95%
在线更新	无
遥控器颜色	黑
外形尺寸	长: 296mm 宽: 113mm 高: 129mm
机身重量	151g
认证	CE, FCC ID: 2AUBX-HT-TX02

油门扳机位置

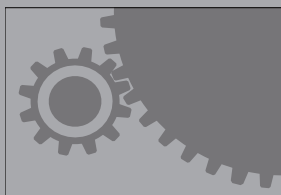


车辆操作

- 步骤1：打开发射器，发射器前灯会闪亮，进入对频模式。
- 步骤2：打开接收器开关，车前灯会闪亮，进入对频模式。
- 步骤3：当发射器接收器对上频成功时，发射器前灯会长亮，车前灯会关闭。

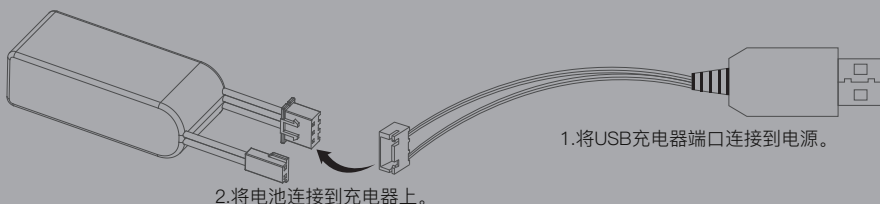
齿轮齿盒设置

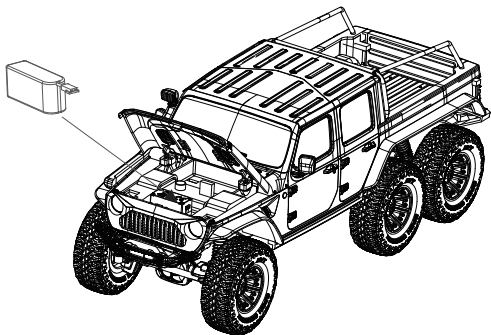
齿轮啮合是模型车内小齿轮和直齿轮之间的间隙配合。如果更换电机或齿轮传动部件，请检查齿轮咬合是否过于紧密，如过于紧密，则可能导致过早出现磨损。



电池充电

- 1.将充电器连接到USB端口，然后将电池连接到充电器电源线上。
- 2.充电时，LED灯状态为红色，充电完成时，LED灯状态为绿色。
- 3.请勿在无人看管的情况下充电!
- 4.如果发现电池或充电器温度过热，请立即断开电池和充电器，因为这可能是由内部短路引起的。





注意

- 1.如果长时间不用,请拔下电池,以防电池损坏。
- 2.不要打开、拆解或试图维修电池。
- 3.电池需断开连接接收板,才能进行充电。

配件表

C2174	1:18 11812 引擎盖	C2187	1:18 11812 连杆
C2175	1:18 11812 前/后灯杯组	C2066	1:18 球轴
C2176	1:18 11812 引擎盖连接座	C2067	1:18 C座胶件
C2177	1:18 11812 雨刮器及后视镜	C2188	1:18 前/后桥胶件
C2178	1:18 11812 防撞	C2189	11812 镜片
C2179	1:18 11812 灯镜片	C2071	1:18 车轮六角接合件
C2180	1:18 11812 车壳	C2073	1:18 轴承
C2181	1:18 11812 扶手	C2074	1:18 后轮轴
C2045	1:18 Teraz 轮胎	C2075	1:18 前轮转向轴
C2046	1:18 星状风格轮毂	C2076	1:18 牙箱胶件
C2134	7.4V 380mAh 电池	C2021	1:18 1kg 舵机
C2182	1:18 11812 灯线组	C2133	1:18 M4波
C2051	USB 平衡充电器 7.4V 1000mA	C2120	MG41 + R4A 发射器+二合一电调接收器
C2057	1:18 塑胶齿轮	C2121	R4A 二合一电调接收器
C2183	1:18 11812 传动轴	C2122	MG41 发射器
C2184	1:18 11812 螺丝	C2190	11812 仪表盘
C2185	1:18 11812桥轴金属齿轮	C2191	座椅
C2060	1:18 螺母 M2 & M2.5	C2192	涉水喉
C2186	1:18 11812 车窗	C2193	尾门
C2063	1:18 避振器 13圈弹簧		

国内经销代理

顶尖遥控模型

<https://shop33795704.taobao.com/>

饭团rc遥控模型

<https://rccrawler.taobao.com/>

酷乐派模型 KLP Racing

<https://shop36499955.taobao.com/>

蓝飞驰模型

<https://shop34378470.taobao.com/>

老顽童模型

<https://shop105563932.taobao.com/>

mymtt的新店

<https://shop211734527.taobao.com/>

擎天模型

<https://shop36154198.taobao.com/>

苏乐快捷模型

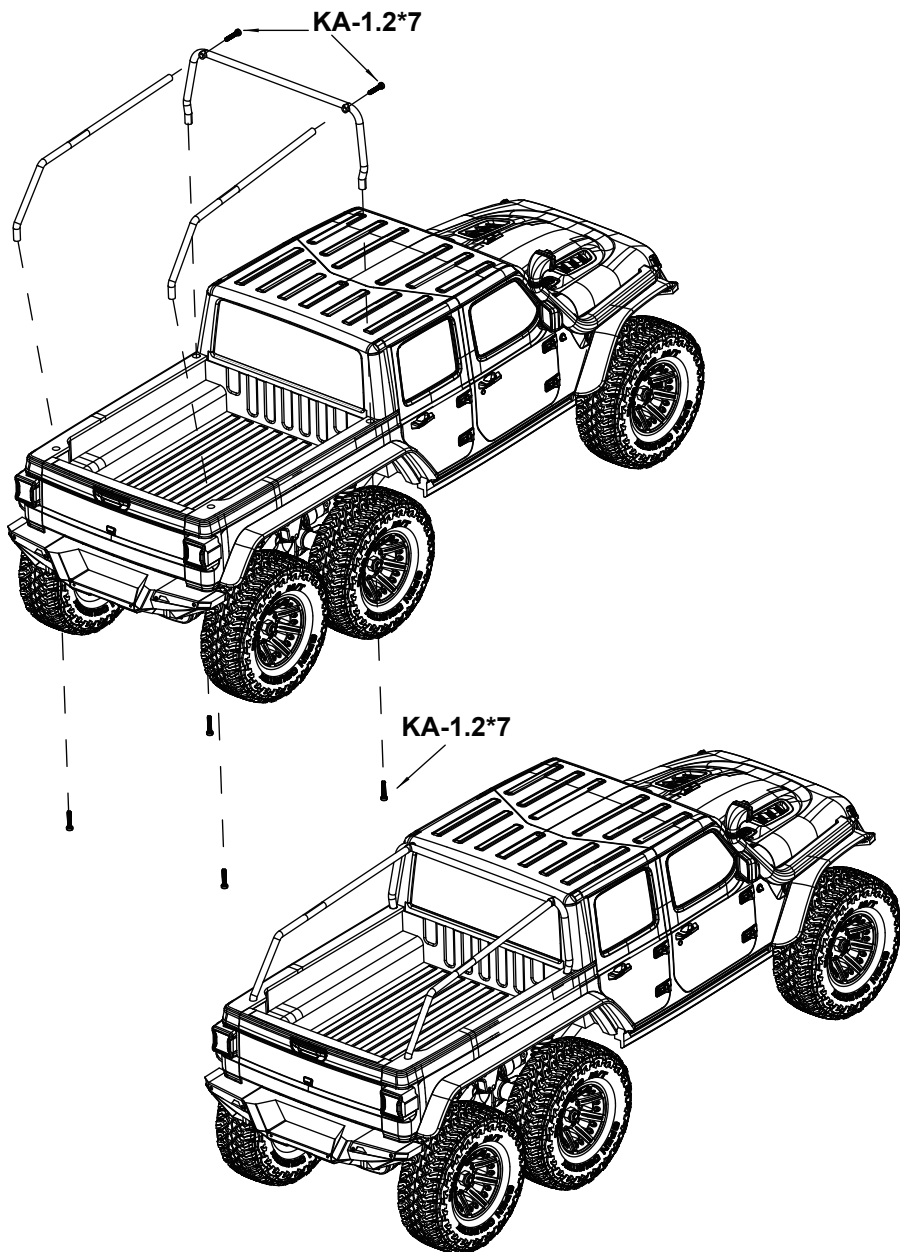
<https://sulerc.taobao.com/>

(EN) Installation of rear guard rail

(CN) 安装车尾护栏

(DE) Montage der hinteren Leitplanke

(FR) Installation du garde-corps arrière

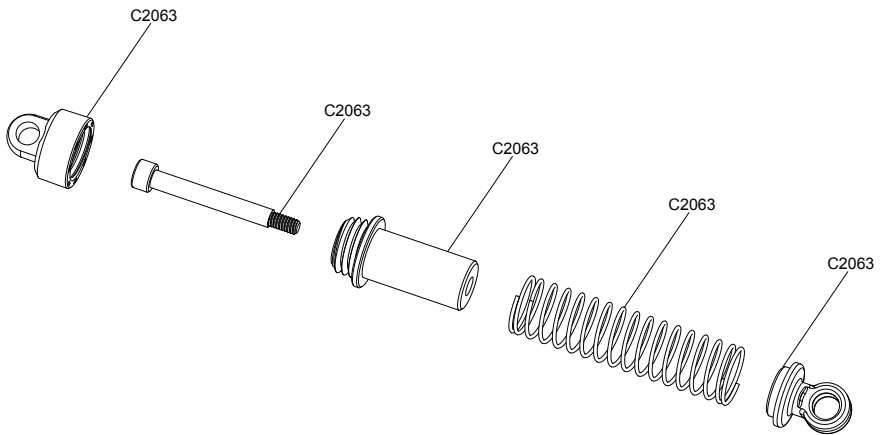


(EN) VIBRATION AVOIDANCE GROUP

(CN) 避振组

(DE) STOSSDÄMPFER KUNSTSTOFFTEILE

(FR) Pièces en plastique d'amortisseurs

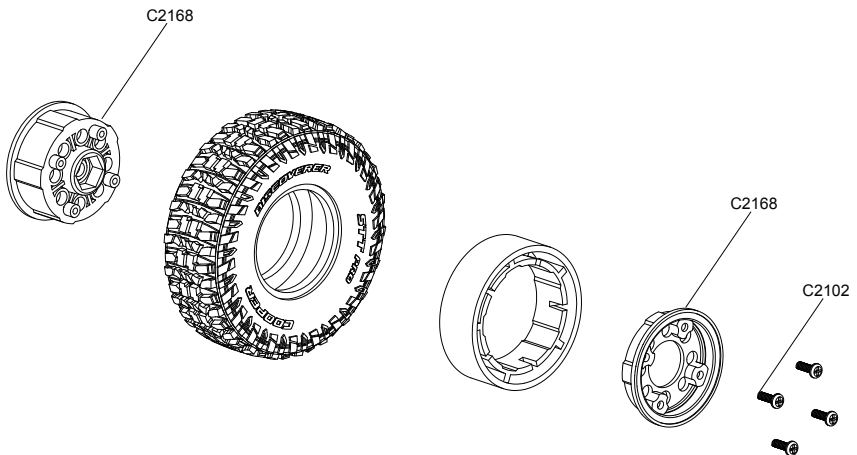


(EN) TYRE GROUP

(CN) 轮胎组

(DE) AUFBAU DER RÄDER

(FR) MONTAGE DES ROUES

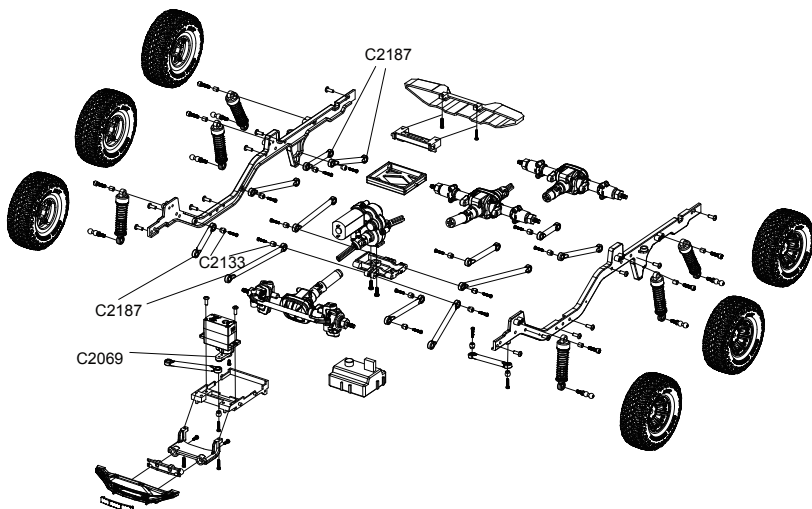


(EN) CAR FRAME GROUP

(CN) 车架组

(DE) PKW-RAHMENGRUPPE

(FR) GROUPE DE CHÂSSIS DE VOITURE

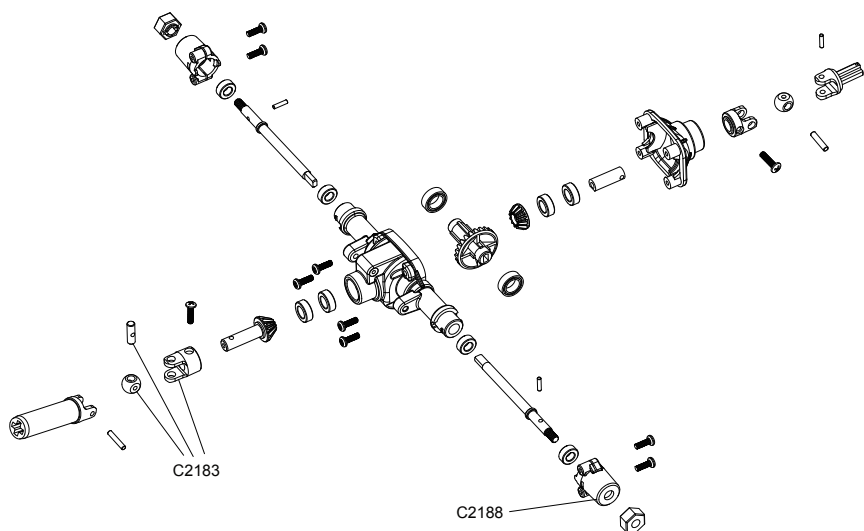


(EN) MEDIUM BRIDGE GROUP

(CN) 中桥组

(DE) MITTLERE BRÜCKENGRUPPE

(FR) GROUPE À PONT MOYEN

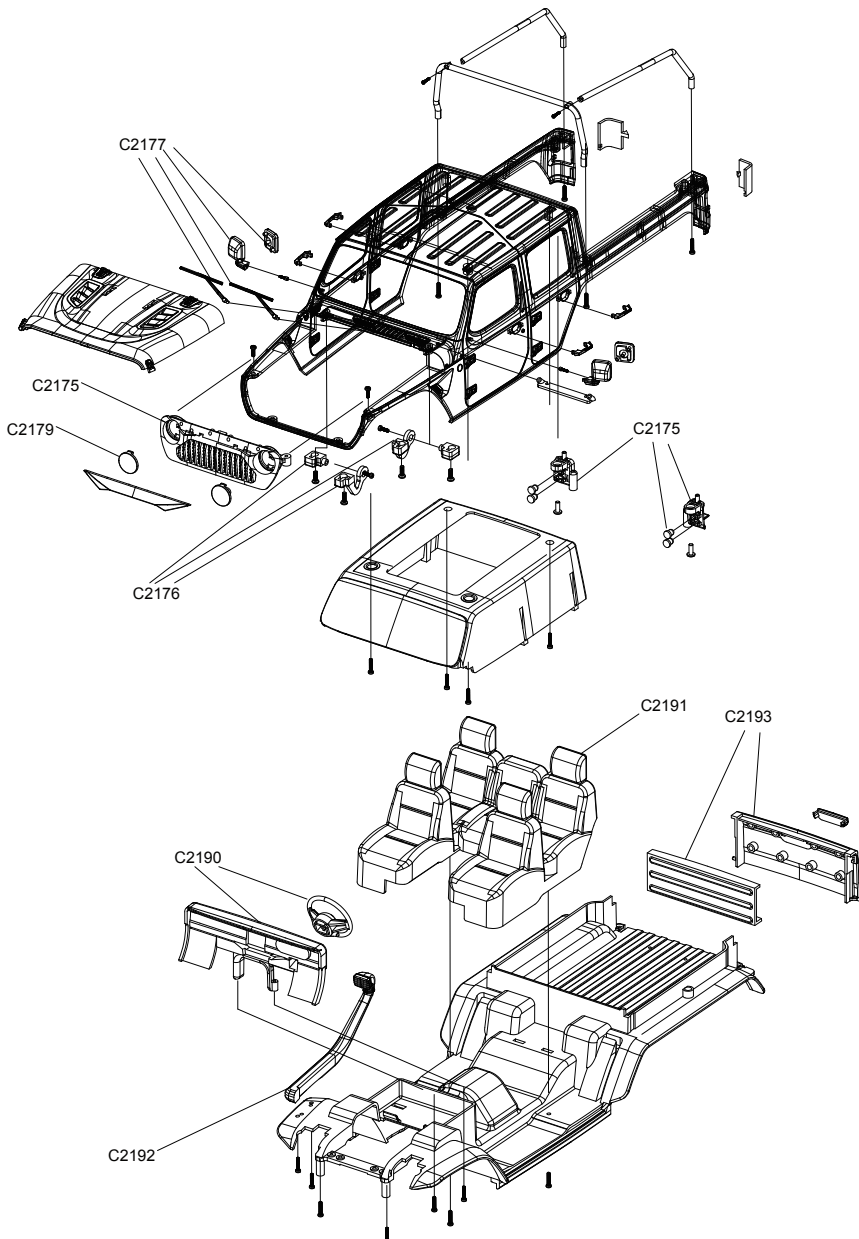


(EN) CAR SURFACE GROUP

(CN) 车面组

(DE) AUTOFLÄCHE GRUPPE

(FR) AUTOFLÄCHE GRUPPE

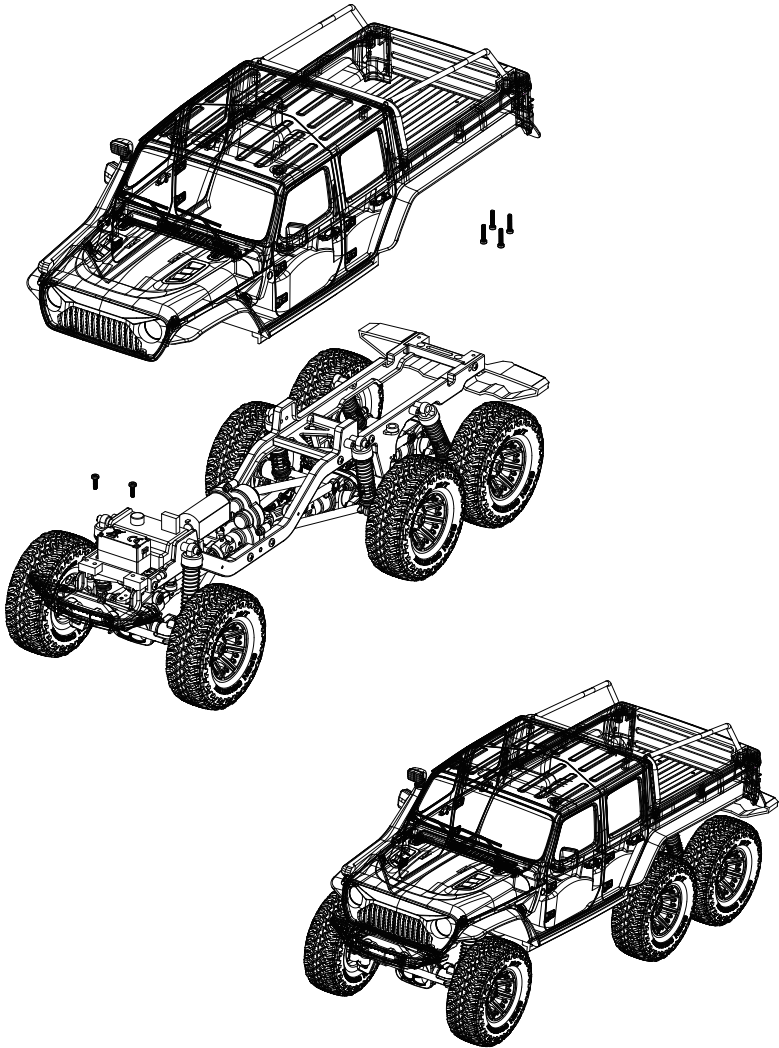


(EN) VEHICLE GROUP

(CN) 整车组

(DE) FAHRZEUGGRUPPE

(FR) GROUPE DE VÉHICULES

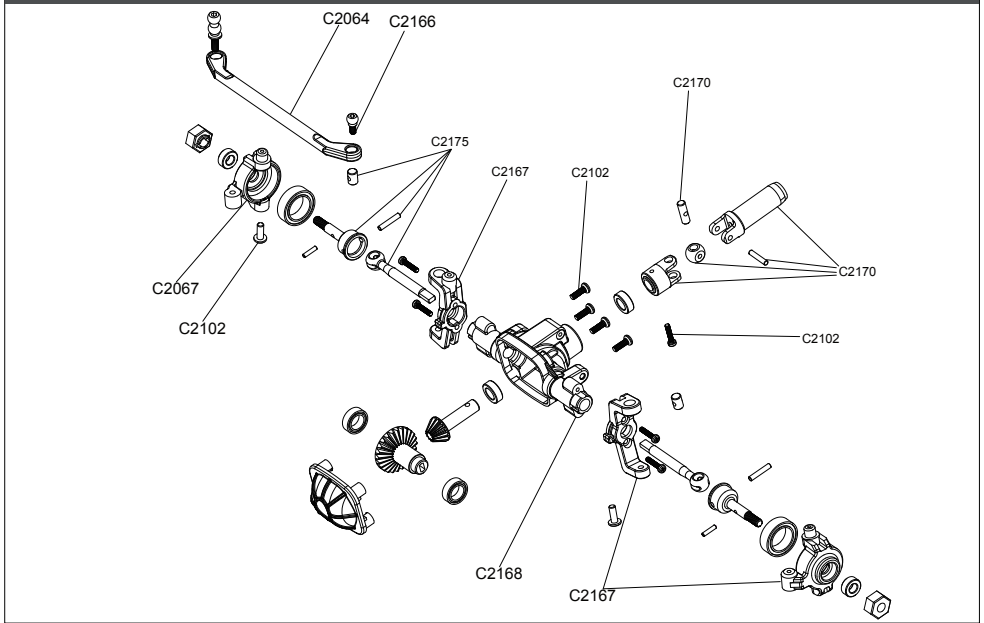


(EN) FRONT AXLE GROUP

(CN) 前桥组

(DE) AUFBAU DER VORDEREN ACHSE

(FR) MONTAGE DE L'ESSIEU AVANT

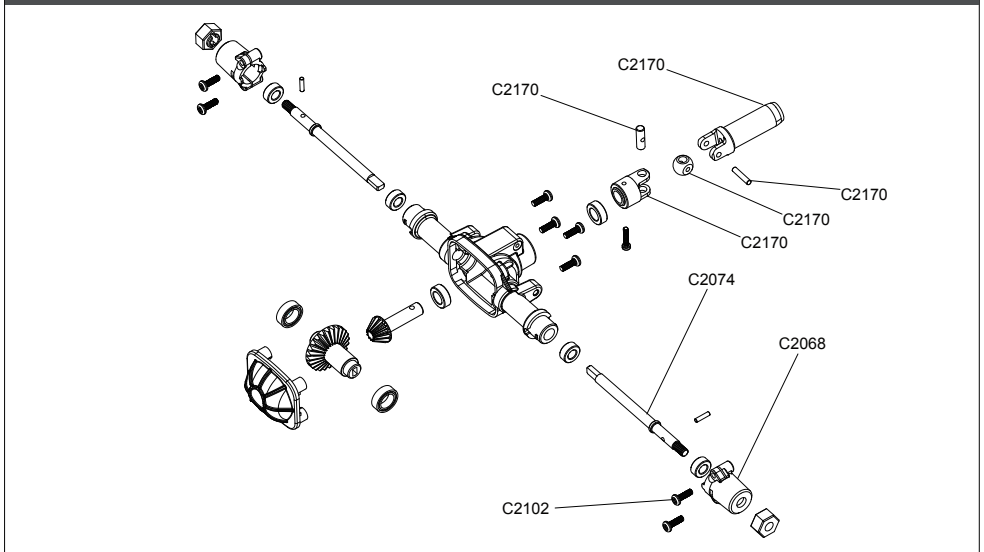


(EN) REAR AXLE GROUP

(CN) 后桥组

(DE) AUFBAU DER HINTEREN ACHSE

(FR) MONTAGE DE L'ESSIEU ARRIERE

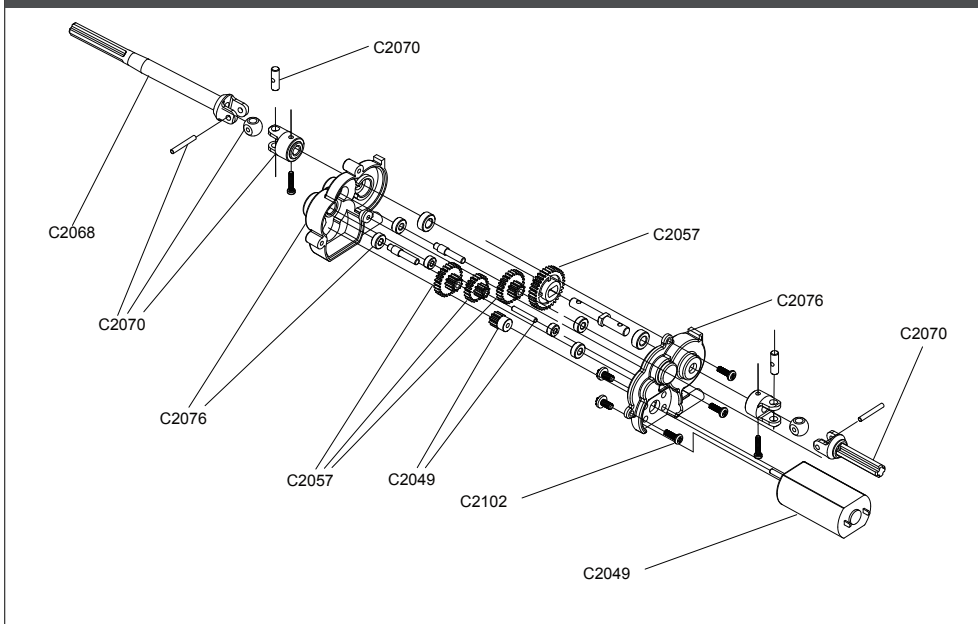


(EN) DENTAL BOX GROUP

(CN) 牙箱组

(DE) DENTALBOX-GRUPPE

(FR) GROUPE BOÎTE DENTAIRE



RO HOBBY

MADE IN CHINA
CE   FC